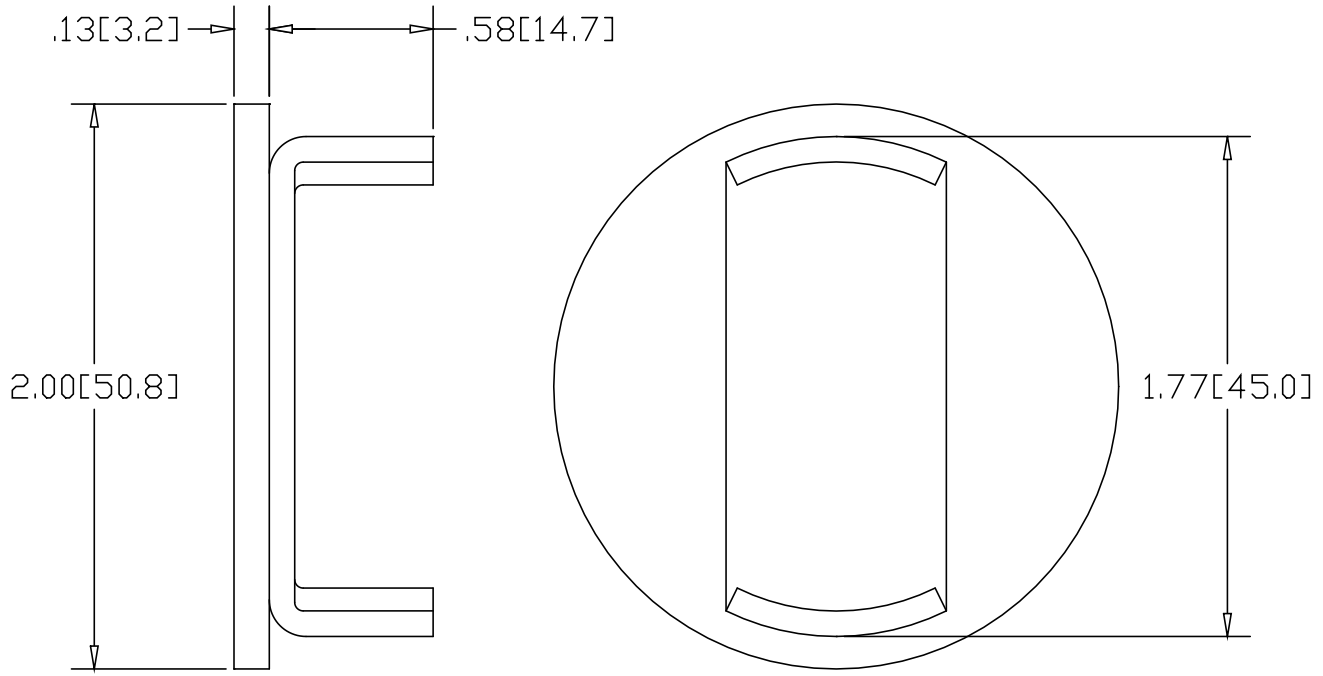



REV
SH
DWG NO
D090E

REVISIONS			
REV	DESCRIPTION	DATE	APPROVED



INCHES [MILLIMETERS]

ALTERNATE MATERIAL	PART NUMBER
.125 (3003) ALUMINUM ASTM B209	D091E
10 GA. (304) STAINLESS STEEL ASTM A240	D092E

PART NAME				2" O.D. X .120W TUBE TYPE "E" DRIVE-ON DISK		
MATERIAL				10 GA. HRP&O STEEL ASTM A569		
DATE	6/13/96	 THE WAGNER COMPANIES R & B WAGNER, INC. AND J. G. BRAUN CO.				
DRAWN BY	RJF					
FINISH	MILL					
SIZE	A	WEIGHT	.16 LBS	PART NUMBER	D090E	
					REV	