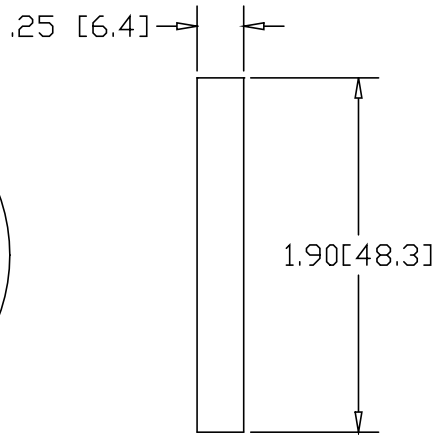
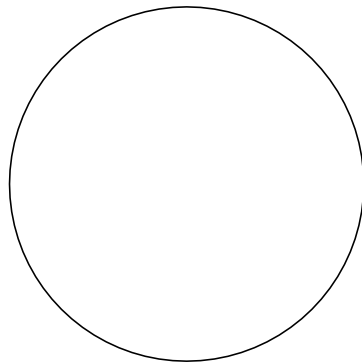
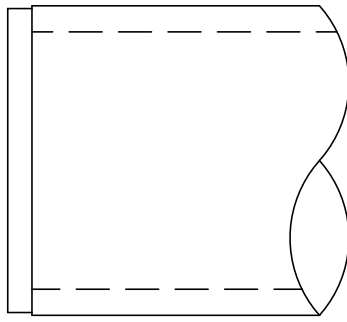
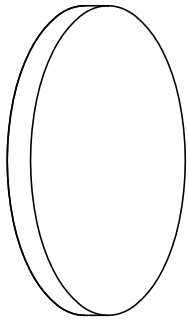



REV
SH
DWG NO D080

REVISIONS			
REV	DESCRIPTION	DATE	APPROVED



INCHES [MILLIMETERS]

ALTERNATE MATERIAL	PART NUMBER
.250 (3003) ALUMINUM ASTM B209	D081
.250 (304) STAINLESS STEEL ASTM A240	D082
.250 (260) BRASS ASTM B19,B36	D083

PART NAME 1-1/2" PIPE SIZE TYPE-D WELD-ON DISK				
MATERIAL .250 HRP&D STEEL ASTM A569				
DATE 10/11/96		THE WAGNER COMPANIES R & B WAGNER, INC. AND J. G. BRAUN CO.		
DRAWN BY RJF				
FINISH MILL	SIZE A	WEIGHT .18 LBS	PART NUMBER D080	REV