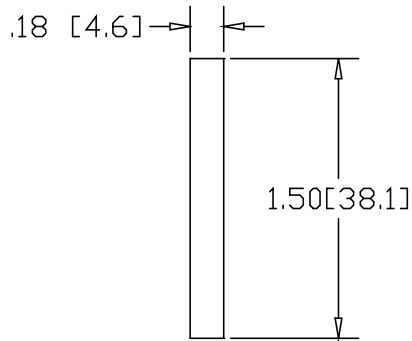
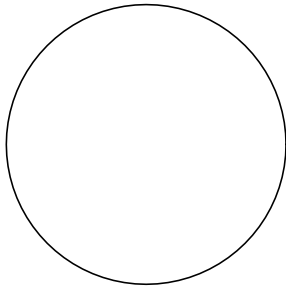
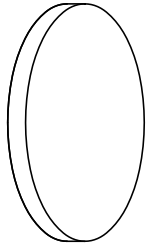



REV
SH
DWG NO D049

REVISIONS			
REV	DESCRIPTION	DATE	APPROVED



INCHES [MILLIMETERS]

ALTERNATE MATERIAL	PART NUMBER
.190 (3003) ALUMINUM ASTM B209	D050
7 GA 304 STAINLESS STEEL ASTM A240	D051
.188 (260) BRASS ASTM B19,B36	D052

PART NAME 1.50" OD TUBE SIZE TYPE-D WELD-ON DISK				
MATERIAL 7 GA. HRP&D STEEL ASTM A569				
DATE 10/11/96		THE WAGNER COMPANIES R & B WAGNER, INC. AND J. G. BRAUN CO.		
DRAWN BY RJF				
FINISH MILL	SIZE A	WEIGHT .11 LBS	PART NUMBER D049	REV