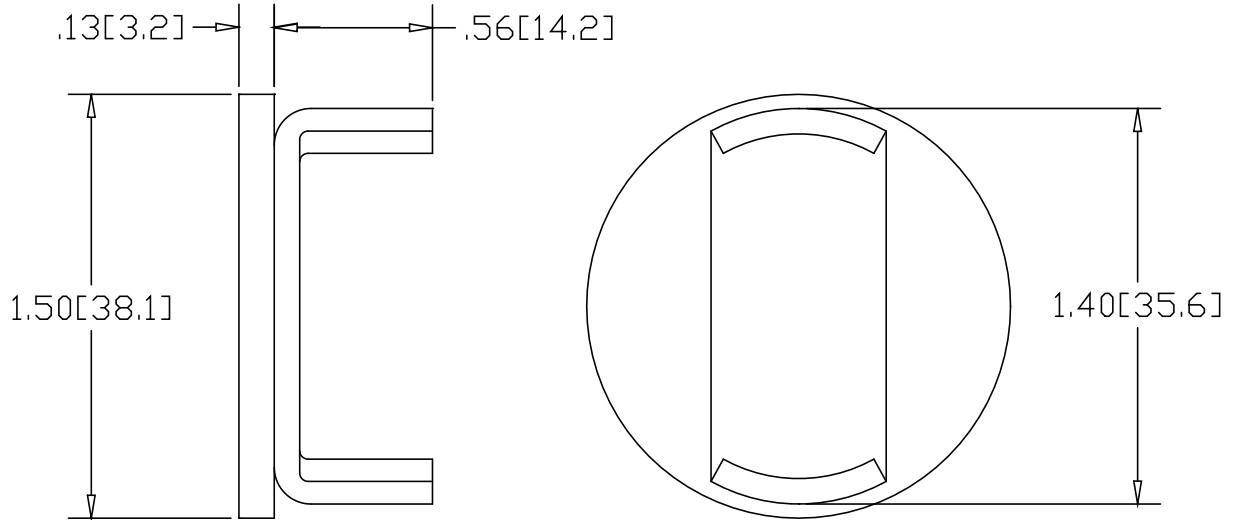



REV
SH
DWG NO D045E.5

REVISIONS			
REV	DESCRIPTION	DATE	APPROVED



INCHES [MILLIMETERS]

ALTERNATE MATERIAL	PART NUMBER
.125 (3003) ALUMINUM ASTM B209	D046E.5
10 GA. (304) STAINLESS STEEL ASTM A240	D041E.5

PART NAME 1-1/2" O.D. X .065W TUBE TYPE "E" DRIVE-ON DISK			
MATERIAL 10 GA. HRP&O STEEL ASTM A569			
DATE 6/13/96	 THE WAGNER COMPANIES R & B WAGNER, INC. AND J. G. BRAUN CO.		
DRAWN BY RJF			
FINISH MILL		SIZE A	WEIGHT .12 LBS
			REV