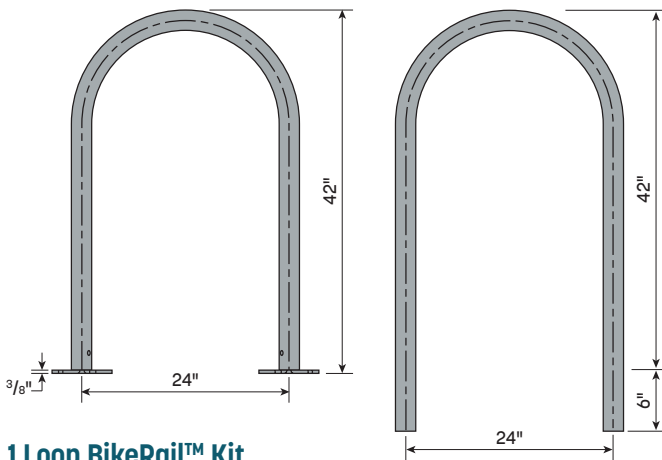
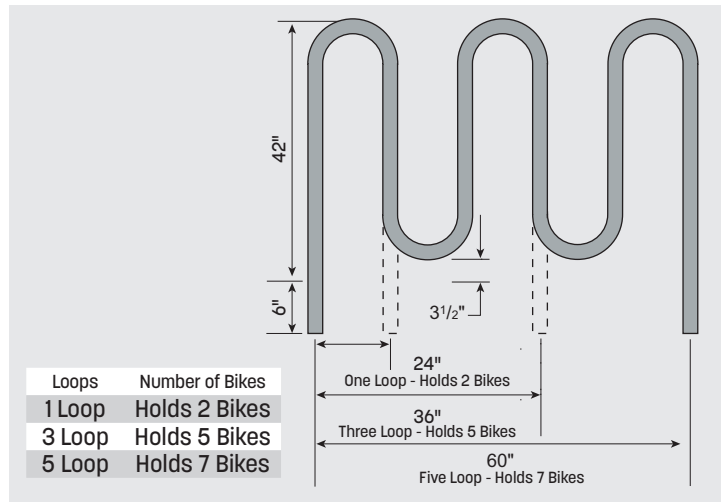


# Wagner BikeRail™

- Component System for **Bike Racks**
- Surface Mount Kit Includes All Hardware
- One, Three and Five Loop Stock **BikeRails™**
- Produced from 2" **Galvanized Pipe**
- Available Galvanized, Unpainted; or Galvanized, Powder Coated Black Polyester
- LTL not required



## 1 Loop BikeRail™ Kit

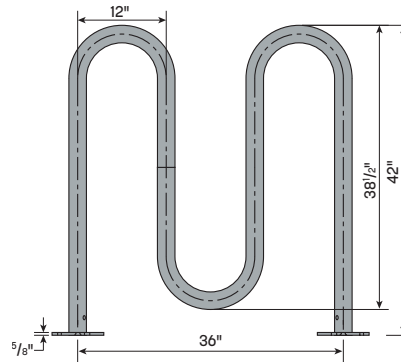
2" Galvanized Pipe (2.375" OD)

	SURFACE MOUNT GALVANIZED STEEL	EMBEDDED MOUNT GALVANIZED STEEL
Unpainted	<b>SR1LW-SM</b>	<b>SR1LW</b>
Black	<b>SR1LW-SM-BLK</b>	<b>SR1LW-BLK</b>

## Embedded Mount Extensions

In embed applications where frost is a concern, use extensions to set **BikeRails™** below frost line. Sold as a set of two extensions with two **Splice-Locks**.

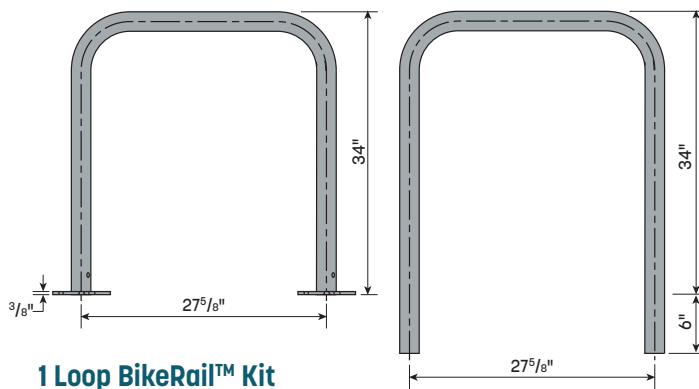
Length	GALVANIZED STEEL
24"	<b>SRLW24</b>
36"	<b>SRLW36</b>
48"	<b>SRLW48</b>



## 3 Loop BikeRail™ Kit

2" Galvanized Pipe (2.375" OD)

	SURFACE MOUNT GALVANIZED STEEL	EMBEDDED MOUNT GALVANIZED STEEL
Unpainted	<b>SR3LW-SM</b>	<b>SR3LW</b>
Black	<b>SR3LW-SM-BLK</b>	<b>SR3LW-BLK</b>



## 1 Loop BikeRail™ Kit

2" Galvanized Pipe (2.375" OD)

	SURFACE MOUNT GALVANIZED STEEL	EMBEDDED MOUNT GALVANIZED STEEL
Unpainted	<b>SR1LW6-SM</b>	<b>SR1LW6</b>
Black	<b>SR1LW6-SM-BLK</b>	<b>SR1LW6-BLK</b>

**NUMBERS IN BOLD TYPE** are typically in stock. Other items may not be available for immediate shipment or are made-to-order - requiring a minimum quantity and a longer lead time. Visit [shop.wagnercompanies.com](http://shop.wagnercompanies.com) for availability.