

Snap-On Cover Flange

For clean, concealed mounting of posts, grab bars and handrail brackets.

This system of base plates and snap-on flanges is engineered for installations that require securely covered anchorage. It provides a unique lock-down system for non-structural covering of anchor bolts in a variety of materials.

The secure connection of cover to base is provided by formed tabs produced with precise tolerances.

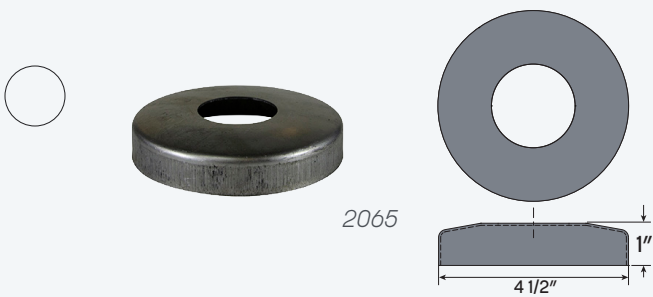
These flanges are available in steel, aluminum, stainless steel and bronze in sizes up to 2.375" OD. Stocked in standard mill finish but polished galvanized or anodize options are available upon request.

The anchor plate and cover may be dissimilar metals.

STEEL	1010
ALUMINUM	3003
STAINLESS STEEL	Type 304
BRASS	C26000
BRONZE	C28000

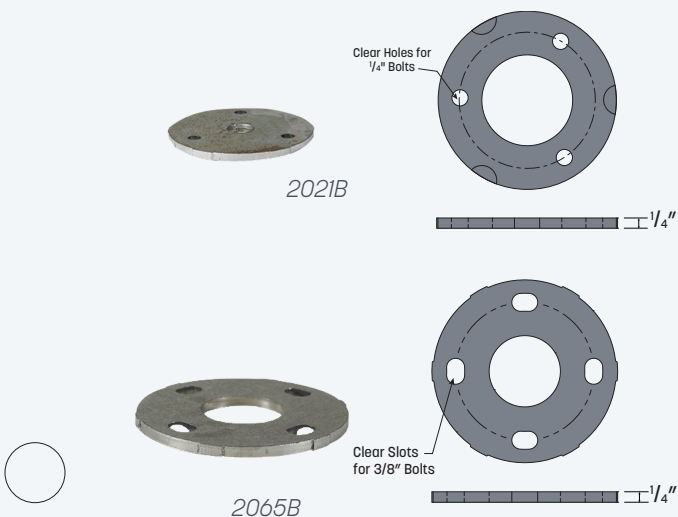
Snap-On Cover Flange

- 18 gauge
- 3 1/4" diameter cover has clearance for 1/4" bolts
- 4 1/2" diameter cover has clearance for 3/8" bolts



Pipe Size	OD	Cover Dia.	Ht.	Steel	Aluminum	304 Stainless	304 Satin Stainless	C28000 Bronze
	.50"	3 1/4"	1/2"	2021	2022	2023	2023.4	
	.625"	3 1/4"	1/2"	2031	2032	2033	2033.4	
	.75"	3 1/4"	1/2"	2041	2042	2043	2043.4	
	1.00"	3 1/4"	1/2"	2051	2052	2053	2053.4	
	1.25"	3 1/4"	1/2"	2061	2062	2063	2063.4	
1"	1.315"	3 1/4"	1/2"	2055	2056	2057	2057.4	
	1.50"	3 1/4"	1/2"	2071	2072	2073	2073.4	2074†
1 1/4"	1.66"	4 1/2"	1"	2065	2066	2067	2067.4	2068
1 1/2"	1.90"	4 1/2"	1"	2075	2076	2077	2077.4	2078
	2.00"	4 1/2"	1"	2081	2082	2083	2083.4	
2"	2.375"	4 1/2"	1"	2085	2086	2087	2087.4	

Snap-On Cover Flange Base



Pipe Size	OD	Base Dia.	Thick	Steel	Aluminum	304 Stainless	Brass
	.50"	3.17"	.179"	2021B	2022B	2023B	
	.625"	3.17"	.179"	2031B	2032B	2033B	
	.75"	3.17"	.179"	2041B	2042B	2043B	
	1.00"	3.17"	.179"	2051B	2052B	2053B	
	1.25"	3.17"	.179"	2061B	2062B	2063B	
1"	1.315"	3.17"	.179"	2055B	2056B	2057B	
	1.50"	3.17"	.179"	2071B	2072B	2073B	2074B
1 1/4"	1.66"	4.38"	.25"	2065B	2066B	2067B*	2068B
1 1/2"	1.90"	4.38"	.25"	2075B	2076B	2077B*	2078B
	2.00"	4.38"	.25"	2081B	2082B	2083B*	
2"	2.375"	4.38"	.25"	2085B	2086B	2087B*	

• Thickness is .188"
† Denotes brass

