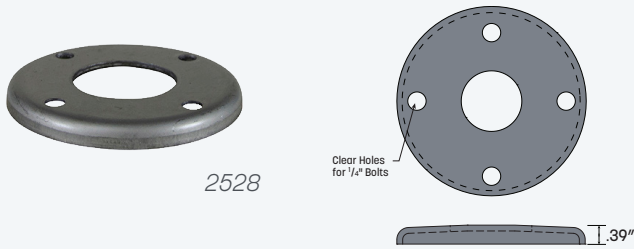


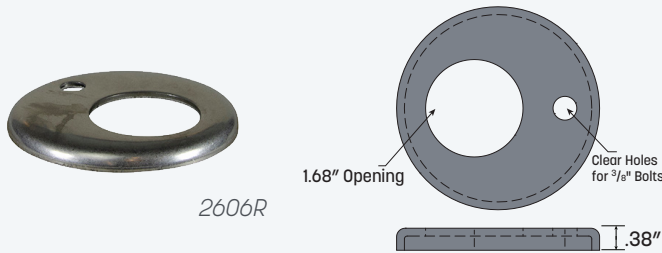
Heavy Flush Base Flange

Heavy Flush Base Flange with Four Holes



Pipe Size	OD	Steel	Aluminum	304 Stainless
	1.25"	2512T		
1"	1.315"	2520		
	1.50"	2536T		2616T
1 1/4"	1.66"	2528		2608
1 1/2"	1.90"	2536	2576	2616
	2.00"	2544T		2624T*

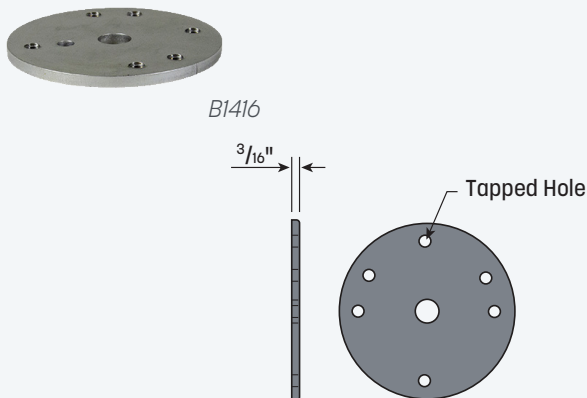
Heavy Base Offset Flange with One Hole



Pipe Size	OD	Steel	Aluminum	304 Stainless
	1.50"	2534RT	2574RT	2614RT
1 1/4"	1.66"	2526T	2566R	2606R*
1 1/2"	1.90"	2534T	2574R	2614R
	2.00"	2542RT		

Universal Anchor Plate

May be used with two, three or four hole flanges. Use stainless or zinc plated steel plates with aluminum flanges. A 3/16" Universal Anchor Plate is provided with six holes for mounting screws. Center mounting hole is 11/16" diameter. Fasten the plate to the wall or floor with a 5/8" anchor bolt and then bolt the flange to the plate with the appropriate amount of screws for the flange.



Pipe Size	OD	Plate Dia.	Bolt Size	Steel	Zinc Plated Steel	304 Stainless
	.75"	3 1/4"	1/4"-20 X 3/8"	B1416	PLB1416	B1516
	1.00"	3 1/4"	1/4"-20 X 3/8"	B1416	PLB1416	B1516
3/4"	1.05"	3 1/4"	1/4"-20 X 3/8"	B1416	PLB1416	B1516
	1.25"	3 1/4"	1/4"-20 X 3/8"	B1416	PLB1416	B1516
1"	1.315"	3 1/2"	1/4"-20 X 3/8"	B1432	PLB1432	B1532
	1.50"	3 1/2"	1/4"-20 X 3/8"	B1432	PLB1432	B1532
1 1/4"	1.66"	3 1/2"	1/4"-20 X 3/8"	B1432	PLB1432	B1532
1 1/2"	1.90"	4"	1/4"-20 X 3/8"	B1440	PLB1440	B1540
	2.00"	4"	1/4"-20 X 3/8"	B1440	PLB1440	B1540
2"	2.375"	4 1/2"	3/8"-16 X 3/8"	B1448	PLB1448	B1548