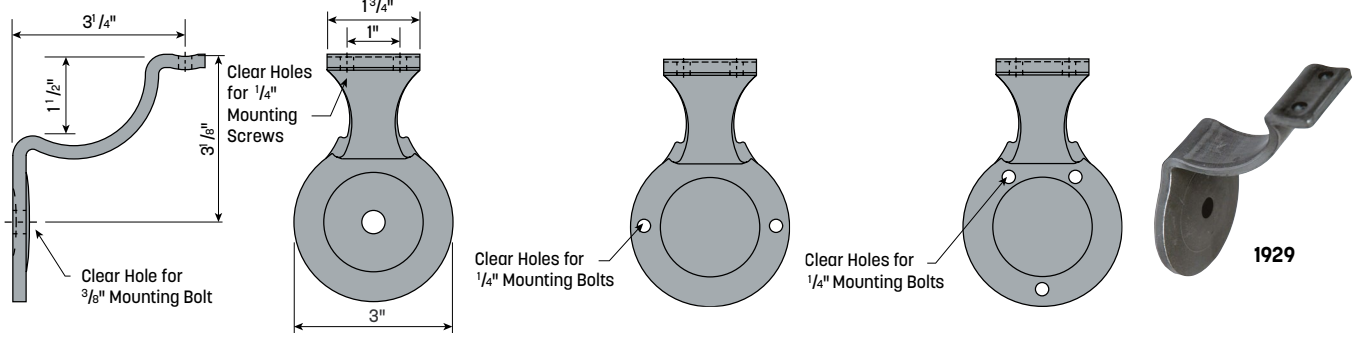


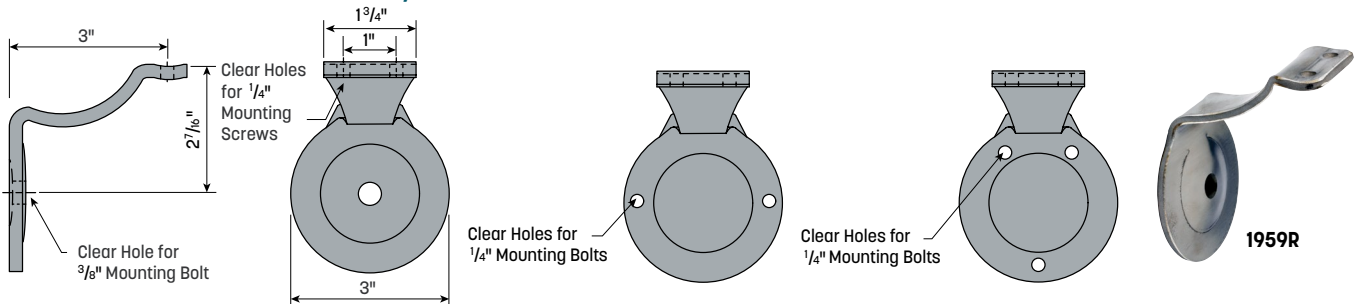
1/4" Formed Bracket Universal Saddle, 3/4" Center Line

Universal Saddle Fits Round and Flat Materials. Dimensioned to Meet NFPA, ICC, ANSI A117.1 and 2010 ADA.



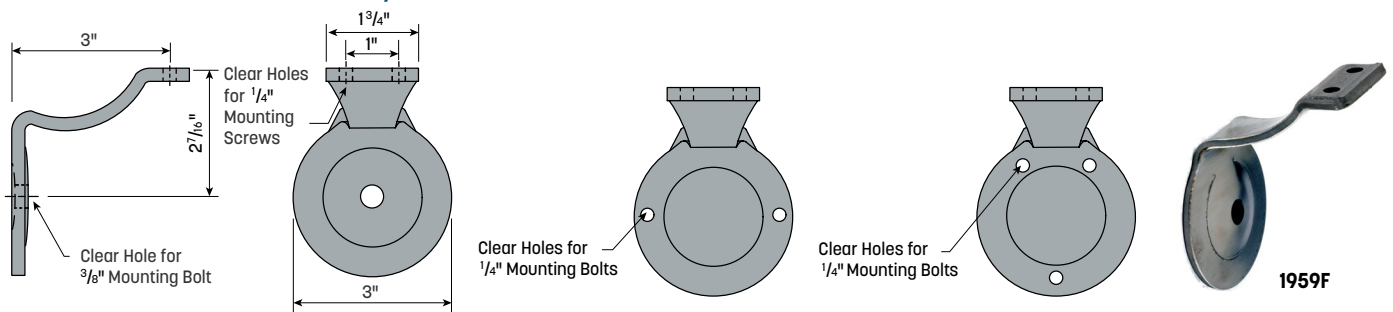
STEEL WITH 1 HOLE	ZINC PLATED STEEL WITH 1 HOLE	STEEL WITH 2 HOLES	STEEL WITH 3 HOLES	ALUMINUM WITH 1 HOLE	ALUMINUM WITH 2 HOLES	ALUMINUM WITH 3 HOLES	SATIN STAINLESS WITH 1 HOLE	SATIN STAINLESS WITH 2 HOLES	SATIN STAINLESS WITH 3 HOLES
1929	1929.PL	1929-2	1929-3	1937	1937-2	1937-3	1952	1952-2	1952-3

1/4" Formed Bracket Round Saddle, 3" Center Line



STEEL WITH 1 HOLE	STEEL WITH 2 HOLES	STEEL WITH 3 HOLES	ALUMINUM WITH 1 HOLE	ALUMINUM WITH 2 HOLES	ALUMINUM WITH 3 HOLES	SATIN STAINLESS WITH 1 HOLE	SATIN STAINLESS WITH 2 HOLES	SATIN STAINLESS WITH 3 HOLES
1938R	1940R	1944R	1939R	1941R	1945R	1959R	1959R-2	1959R-3

1/4" Formed Bracket Flat Saddle, 3" Center Line



STEEL WITH 1 HOLE	STEEL WITH 2 HOLES	STEEL WITH 3 HOLES	ALUMINUM WITH 1 HOLE	ALUMINUM WITH 2 HOLES	ALUMINUM WITH 3 HOLES	SATIN STAINLESS WITH 1 HOLE	SATIN STAINLESS WITH 2 HOLES	SATIN STAINLESS WITH 3 HOLES
1938F	1940F	1944F	1939F	1941F	1945F	1959F	1959F-2	1959F-3

Snap-On Cover

For concealed mounting of single hole **Formed Brackets** shown on pages 6 and 7. **Two and Three Hole Brackets** must be countersunk to use these covers.



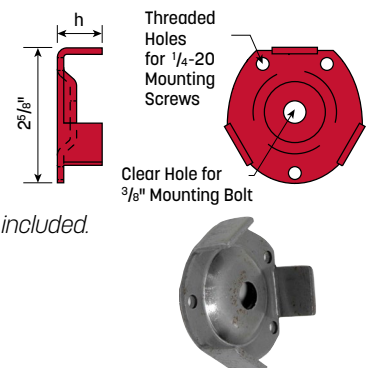
STEEL	ALUMINUM	SATIN STAINLESS	SATIN BRASS
1960	1961	1962	1963

Style B Filler

Use **Filler** to prevent over tightening of matching handrail **Bracket** which may result in cracking the drywall.

1/4-20 x 1/2" **Round Head Screws** included.

h	STEEL
5/8"	4579
7/8"	4579B



Not all products will meet all code requirements. Always confirm your local requirements, product dimensions and structural data prior to specifying.