

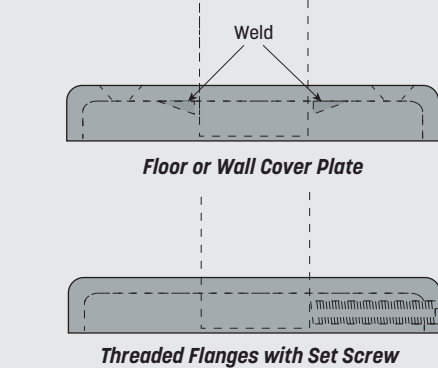
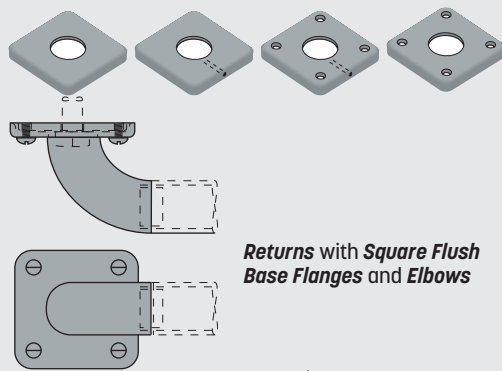
Square Flush Base Flanges

Available in Steel, Aluminum Alloy 3003 and Stainless Steel Type 304. Contact **Wagner** at rfq@mailwagner.com regarding availability in Brass, Bronze and other finishes.

These **Flanges** may be combined with square or round **Elbows** from pages 39 - 46 to create **Wall Returns** as noted below.

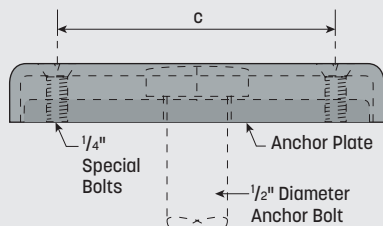
Square Flanges with Round Holes

To order **Square Flanges** with round holes for **Pipe** or **OD Tubing**, add **P** after the fitting number for **Pipe** of that size or **T** after fitting number for **Round Tube** of that size.



Square Floor and Wall Formed Flanges with Anchor Plate

When an **Anchor Plate** is used with a **Flange**, fasten **Plate** to floor then attach **Flange** to **Plate** with four 1/4"-20 screws provided.

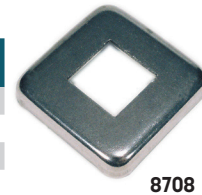


Cover Flange Size	c	Hole Diameter	Height	Thickness
3" x 3"	2"	5/16"	1/2"	10 Ga.
3 3/4" x 3 3/4"	2 3/4"	5/16"	1/2"	10 Ga.
5 3/16" x 5 3/16"	3 3/4"	7/16"	7/16"	16 Ga.

Plain Flange

Tube Size	Cover Flange Size	10 GA. STEEL	.125" ALUMINUM	.120" STAINLESS
3/4" x 3/4"	3" x 3"	8701	8771	8841
1" x 1"	3" x 3"	8708	8778	8848
1 1/4" x 1 1/4"	3" x 3"	8715	8785	8855
1 1/2" x 1 1/2"	3 3/4" x 3 3/4"	8722	8792	8862**
1 3/4" x 1 3/4"	3 3/4" x 3 3/4"	8734	8804	8874
2" x 2"	3 3/4" x 3 3/4"	8729	8799	8869
2 1/2" x 2 1/2"	5 3/16" x 5 3/16"	88057*	88027*	88097*
3" x 3"	5 3/16" x 5 3/16"	88064*	88034*	88004*
1" x 1 1/2"	3 3/4" x 3 3/4"	8750		8890
1" x 2"	3 3/4" x 3 3/4"	8757	8827	8897
1 1/2" x 2"	3 3/4" x 3 3/4"	8764	8834	89004

** Also available from stock with a satin finish. Order **8862.4**



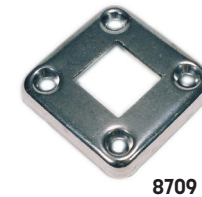
Plain Flange with Set Screw†

Tube Size	Cover Flange Size	10 GA. STEEL	.125" ALUMINUM	.120" STAINLESS
3/4" x 3/4"	3" x 3"	8704		8844
1" x 1"	3" x 3"	8711	8781	8851
1 1/4" x 1 1/4"	3" x 3"	8718		8858
1 1/2" x 1 1/2"	3 3/4" x 3 3/4"	8725	8795	8865
1 3/4" x 1 3/4"	3 3/4" x 3 3/4"	8736	8806	
2" x 2"	3 3/4" x 3 3/4"	8732	8802	8872
1" x 1 1/2"	3 3/4" x 3 3/4"	8753	8823	
1 1/2" x 2"	3 3/4" x 3 3/4"	8767		



Flange with Four Countersunk Holes

Tube Size	Cover Flange Size	10 GA. STEEL	.125" ALUMINUM	.120" STAINLESS
3/4" x 3/4"	3" x 3"	8702		
1" x 1"	3" x 3"	8709	8779	8849
1 1/4" x 1 1/4"	3" x 3"	8716	8786	8856
1 1/2" x 1 1/2"	3 3/4" x 3 3/4"	8723	8793	8863
1 3/4" x 1 3/4"	3 3/4" x 3 3/4"	8735		
2" x 2"	3 3/4" x 3 3/4"	8730	8800	8870
3" x 3"	5 3/16" x 5 3/16"	88065*		
1" x 1 1/2"	3 3/4" x 3 3/4"	8751		8891



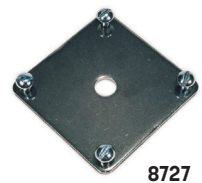
Flange with Set Screw† and Four Countersunk Holes

Tube Size	Cover Flange Size	10 GA. STEEL	.120" STAINLESS
1 1/4" x 1 1/4"	3" x 3"		8859
1 1/2" x 1 1/2"	3 3/4" x 3 3/4"	8726	8866
2" x 2"	3 3/4" x 3 3/4"	8733	



Universal Anchor Plate

Tube Size	Plate Size	STEEL	STAINLESS
3/4" x 3/4"	2 5/8" x 2 5/8"	8706	8846
1" x 1"	2 5/8" x 2 5/8"	8706	8846
1 1/4" x 1 1/4"	2 5/8" x 2 5/8"	8706	8846
1 1/2" x 1 1/2"	3 3/8" x 3 3/8"	8727	8867
1 3/4" x 1 3/4"	3 3/8" x 3 3/8"	8727	8867
2" x 2"	3 3/8" x 3 3/8"	8727	8867
1" x 1 1/2"	3 3/8" x 3 3/8"	8727	8867
1" x 2"	3 3/8" x 3 3/8"	8727	8867
1 1/2" x 2"	3 3/8" x 3 3/8"	8727	8867



All **Anchor Plates** are 3/16" thick with 1/4" x 3/8" **Bolts**.

* Denotes 16 ga. material.

† 10-32 Set Screw - not for structural use.

NUMBERS IN BOLD TYPE are typically in stock. Other items may not be available for immediate shipment or are made-to-order - requiring a minimum quantity and a longer lead time. Visit shopwagner.com for availability.