

EZ Sleeve

U.S. Patent # 4,515,271

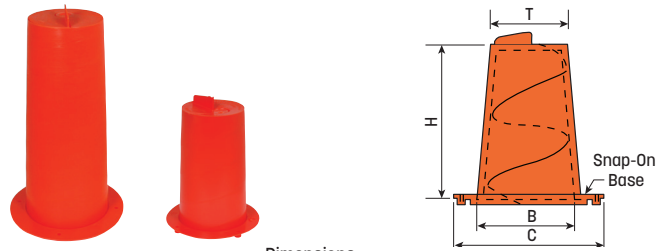
Made in the USA - For Mounting **Posts** in Concrete

EZ Sleeve is the ideal way to form quick and clean **Post** holes in concrete for installing **Railings** or other **Posts**.

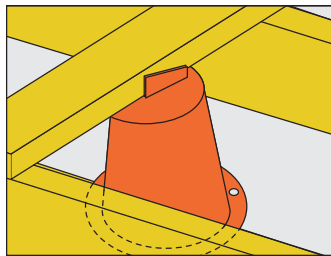
Features:

- **Easy to Use:** Set before or immediately after concrete is poured.
- **Lightweight and Sturdy:** The **EZ Sleeve** is constructed of 1/16" thick plastic.
- **Precise Field Measurements:** Use tab for field measuring and removal of **EZ Sleeve**.
- **Clean:** Sealed tapered tube with snap-on base keeps out debris and water.
- **Convenient:** Creates tapered hole with extra space to plumb **Post**.

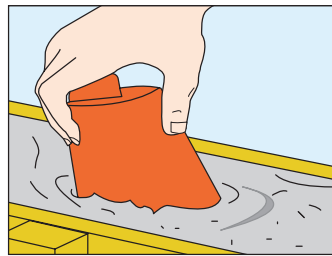
Color is safety orange to safeguard against tripping. Public access to work areas should be prevented.



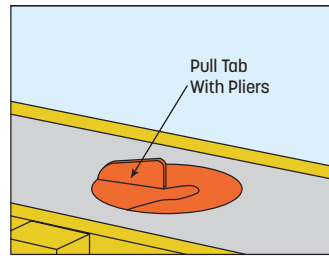
Model	Pieces	Dimensions				Post Size
		T	B	H	C	
EZ3006	50	3"	3 1/2"	6"	4 3/4"	Up to 2" Pipe (2 3/8" OD) Up to 2" Square
EZ3006-10	10	3"	3 1/2"	6"	4 3/4"	Up to 2" Pipe (2 3/8" OD) Up to 2" Square
EZ4012	30	4"	5"	12"	7"	Up to 3" Pipe (3 1/2" OD) Up to 2 1/2" Square
EZ4012-5	5	4"	5"	12"	7"	Up to 3" Pipe (3 1/2" OD) Up to 2 1/2" Square



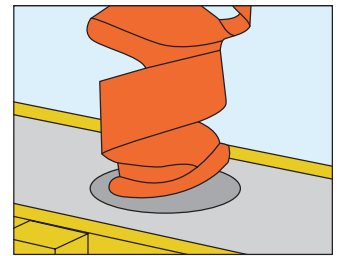
Either... attach to concrete form work and pour concrete.



Or... press into wet concrete.



Pull tab, using a pair of pliers, just before installing **Posts**. Do not pull out **EZ Sleeve** until ready for installation. You can use it to verify field measurements and to keep out debris and water which can freeze and crack concrete.



Post Sleeves

Post Sleeves are to be 1/2" larger than the **Post** OD to allow for placement variations and adequate grouting.

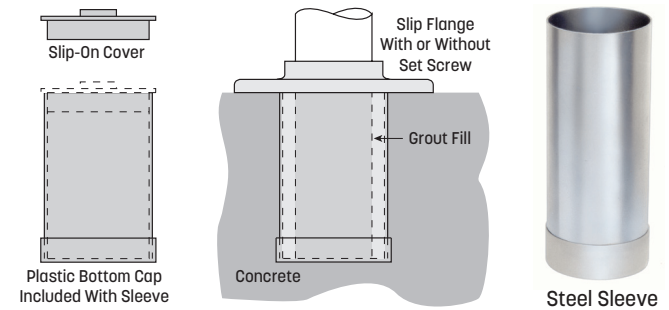
Use the **Slip-On Covers** to keep the **Post Sleeve** clean until you are ready to install the **Posts**. When you are

ready to erect the **Railing**, remove the **Covers**, place the **Post** into the clean **Sleeve** and grout with **Rockite** or **Kwixset**. Top of **Cover** should be set flush with concrete floor line or stair tread.

Steel Post Sleeves

.049" Wall.

Outside Diam.	Height	GALVANIZED STEEL	Water Proof Plastic Cover
2 1/2"	4"	G254-SNC	25-C
2 1/2"	6"	G256-SNC	25-C
3"	4"	G34-SNC	3-C
3"	6"	G36-SNC	3-C



Wagner can supply **Post Sleeves** to any length or angle. Contact **Wagner** for pricing.

Anchor and Patching Expansion Cement

Follow package instructions when using **Rockite** or **Kwixset**.

Coat Aluminum with a coat of bituminous paint or a proper primer when placed in contact with Portland-based cement.



Rockite®

Use only in water proof conditions. Gypsum-based

Description	Part Number
50 lb. Pail	RK10051
10 lb. Box	RK10010

Kwixset®

Exterior Anchor Cement Portland-based

Description	Part Number
50 lb. Pail	KW10402
25 lb. Box	KW10401

Disposable Grout Bag

Made of heavy duty plastic, disposable **Grout Bags** eliminate the need for cleaning. Bags are 21" long. Tips can be cut to the desired opening.

Description	Part Number
50/box	GBG14219



STANDARD PRODUCTS

RAILING SYSTEMS

TRADITIONAL RAILING

CUSTOM SERVICES

APPENDIX