

# Tapered Heavy Base Flanges

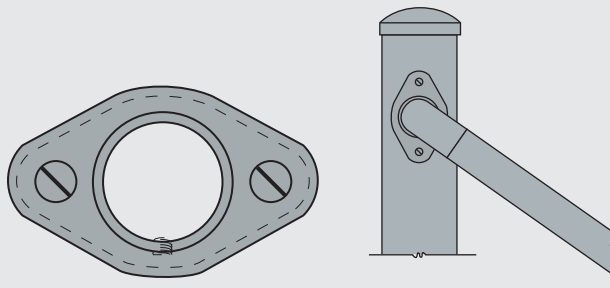
**Set Screws** are not for structural use.

	Standard Alloys	Thickness
Steel	1006 - 1010	.179"
Aluminum	3003	.190"
Stainless Steel	Type 304	.187"

Other alloys are available on special request. Supplied with a mill finish. Contact **Wagner** at [rfq@mailwagner.com](mailto:rfq@mailwagner.com) regarding polishing, plating, galvanizing, anodizing or special finishes.

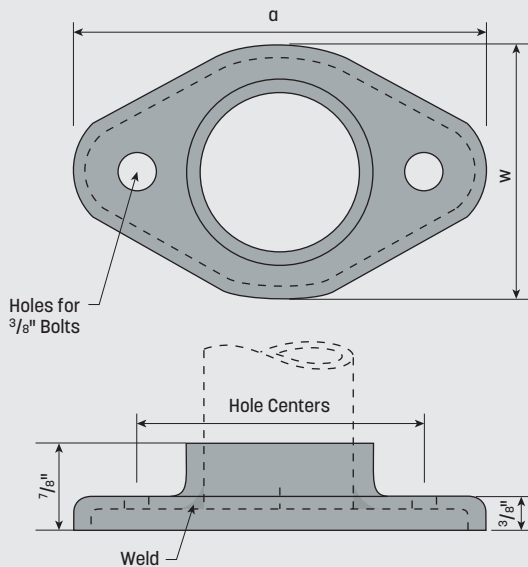
## Tapered Heavy Base Flange Dimensions

Pipe Size	Tube OD	a	w	Hole Centers
	1.50"	4 1/4"	2 3/4"	3"
1 1/4"	1.66"	4 1/4"	2 3/4"	3"
1 1/2"	1.90"	4 1/2"	3"	3 1/4"



Flange with Anchor Plate.

Fascia Pipe Post Bracket made with Elbow and Tapered Flange.



**Note:** Aluminum Flanges are intended for Cover Flange use only. Verify material OD prior to order - see page 57.



## Tapered Heavy Base Plain Flange

Pipe Size	OD	STEEL	ALUMINUM	STAINLESS
	1.50"	4915T	4945T	4975T
1 1/4"	1.66"	<b>4910</b>	<b>4940</b>	<b>4970</b>
1 1/2"	1.90"	4915	4945	4975



4910

## Tapered Heavy Base Flange with Two Holes

Pipe Size	OD	STEEL	ALUMINUM	STAINLESS
	1.50"	4916T	4946T	4976T
1 1/4"	1.66"	<b>4911</b>	<b>4941</b>	<b>4971</b>
1 1/2"	1.90"	<b>4916</b>	4946	4976



4911

## Tapered Heavy Base Plain Flange with Set Screw\*

Pipe Size	OD	STEEL	STAINLESS
1 1/4"	1.66"	<b>4912</b>	<b>4972</b>
1 1/2"	1.90"		<b>4977</b>



4912

## Tapered Heavy Base Flange with Set Screw\* and Two Holes

Pipe Size	OD	STEEL	STAINLESS
	1.50"	<b>4918T</b>	<b>4978T</b>
1 1/4"	1.66"	<b>4913</b>	<b>4973</b>
1 1/2"	1.90"	<b>4918</b>	<b>4978</b>



4913

\* 1/4"-20 Set Screw - not for structural use.



## Anchor Plate

3/16" **Anchor Plate** is provided with three holes for mounting **Screws**. Center mounting hole is 11/16" diameter. Fasten the **Anchor Plate** to the wall or floor with a 5/8" **Anchor Bolt** and then bolt the **Flange** to the **Anchor Plate** with two 5/16" x 3/8" **Bolts** that are provided.

Pipe Size	OD	STEEL	STAINLESS
	1.50"	<b>4914</b>	<b>4974</b>
1 1/4"	1.66"	<b>4914</b>	<b>4974</b>
1 1/2"	1.90"	<b>4919</b>	<b>4979</b>



4914

STANDARD PRODUCTS

RAILING SYSTEMS

TRADITIONAL RAILING

CUSTOM SERVICES

APPENDIX