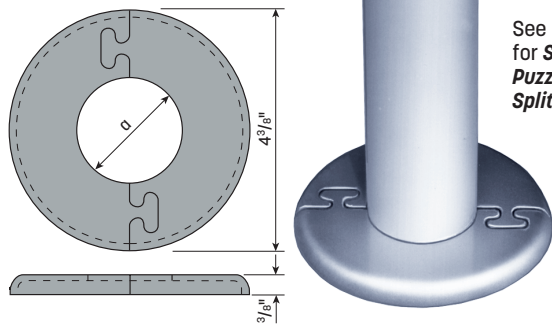


Puzzle-Lock Split Flange

The answer to those *forgotten* covers.



See Page 62 for *Square Puzzle-Lock Split Flanges*.

Hides Grout • Covers Discoloration • Covers Rust Ring

Puzzle-Lock Split Flange

A unique concept for the installation of **Cover Flanges** around existing **Posts**. This two piece **Flange** locks together to appear as one. Use **Epoxy** for attachment to surface - see page 29.

Produced from 1/8" thick stock and supplied with a mill finish. Special finishes are available upon request. Contact **Wagner** at rfq@mailwagner.com.

Pipe Size	OD	STEEL	ALUMINUM	STAINLESS
	1.00"			26419
	1.25"	26404	26414	26424
1"	1.315"	26401	26411	26421
	1.50"	26405	26415	26425
1 1/4"	1.66"	26402	26412	26422
1 1/2"	1.90"	26403	26413	26423
	2.00"	26406	26416	26426

Note: Due to manufacturing variations, **Puzzle-Lock Flanges** should be kept in sets as shipped.

Tapered Flat Base Pipe Flanges

Made in MILWAUKEE

- Supplied mill finish. Other finishes are available on request.
- 3/4" and 1" **Pipe** sizes are available by special order.
- **Set Screws** are not for structural use.

	Standard Alloys	Thickness
Steel	1008	.179"
Aluminum	3003	.190"
Stainless Steel	Type 304	.187"



Tapered Base Plain Flange

Pipe Size	OD	STEEL	ALUMINUM	STAINLESS
1 1/4"	1.66"	4810		
1 1/2"	1.90"	4815	4845	
2"	2.375"	4820	4850	4880



Tapered Base Flange with Two Holes

Pipe Size	OD	STEEL	ALUMINUM	STAINLESS
1 1/4"	1.66"	4811	4841	4871
1 1/2"	1.90"	4816	4846	4876
2"	2.375"	4821	4851	



Tapered Base Flange with Set Screw* and Two Holes

Pipe Size	OD	STEEL
1 1/4"	1.66"	4813
1 1/2"	1.90"	4818
2"	2.375"	4823

* 1/4"-20 Set Screw - not for structural use.

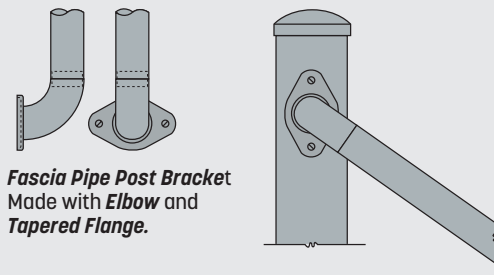
Note: Aluminum Flanges are intended for **Cover Flange** use only. Verify material OD prior to order - see page 57.

NUMBERS IN BOLD TYPE are typically in stock. Other items may not be available for immediate shipment or are made-to-order - requiring a minimum quantity and a longer lead time. Visit shopwagner.com for availability.

Other alloys are available on special request. Supplied with a mill finish. Contact **Wagner** at rfq@mailwagner.com regarding polishing, plating, galvanizing, anodizing or special finishes.

Tapered Base Flange Dimensions

Pipe Size	a	w	Hole Centers	h
1 1/4"	4 1/4"	2 3/4"	3 1/4"	3/4"
1 1/2"	4 1/2"	3"	3 1/2"	7/8"
2"	5"	3 1/2"	4"	7/8"



Fascia Pipe Post Bracket
Made with **Elbow** and **Tapered Flange**.

