

1/4" Formed Wall Mount Bracket

ADA and Code Compliant

- Available in Steel*, Aluminum, Stainless Steel (3/16" thick) and Bronze*.
- One, two or three hole mounting options.
- **Snap-On Covers** - page 17 - are used with these **Brackets** to cover the mounting hardware.

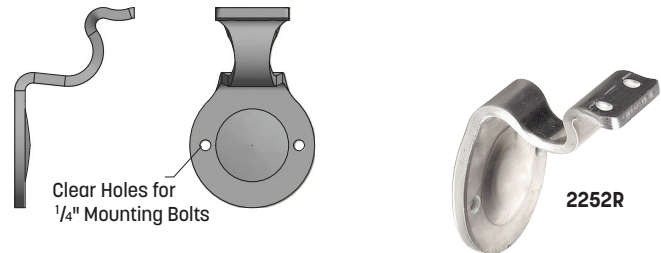
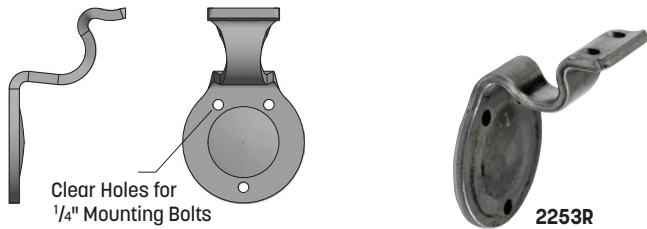
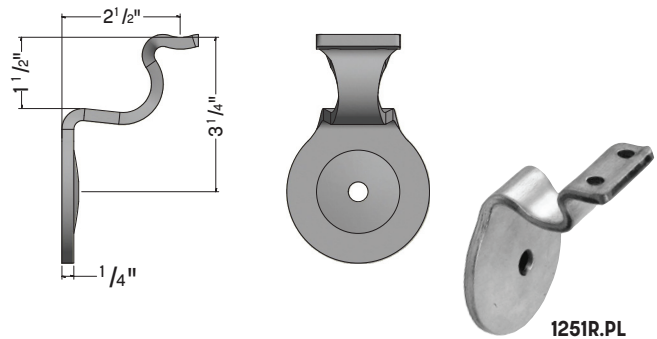
ALUMINUM	5052
STEEL	1006 - 1010
STAINLESS STEEL	Type 304/316
BRASS	C26000

Finish:

- Steel and Aluminum **Brackets** are unfinished.
- Bronze and Stainless Steel **Brackets** are supplied with a satin finish.
- Bright polished, anodized, plated and galvanized finishes are available on special order.

1/4" Formed Wall Mount Bracket Round Saddle with One Mounting Hole

STEEL 1251R	ZINC PLATED STEEL 1251R.PL	GALVANIZED STEEL 1251R.G	ALUMINUM 2251R	ANODIZED ALUMINUM 2251R.AN
TYPE 304 SATIN STAINLESS 3251R	TYPE 316 SATIN STAINLESS 3251R.316			



1/4" Formed Wall Mount Bracket Round Saddle with Three Mounting Holes

STEEL 1253R	ALUMINUM 2253R
-----------------------	--------------------------

1/4" Formed Wall Mount Bracket Round Saddle with Two Mounting Holes

STEEL 1252R	ALUMINUM 2252R
-----------------------	--------------------------

Snap-On Cover

For concealed mounting of single hole **Formed Brackets** shown on pages 6 and 7. **Two and Three Hole Brackets** must be countersunk to use these covers.



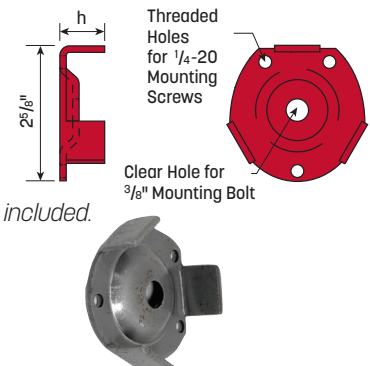
STEEL 1960	ALUMINUM 1961	304 SATIN STAINLESS 1962	316 SATIN STAINLESS 1962.316	SATIN BRASS 1963
----------------------	-------------------------	------------------------------------	--	----------------------------

Style B Filler

Use **Filler** to prevent over tightening of matching handrail **Bracket** which may result in cracking the drywall.

1/4"-20 x 1/2" **Round Head Screws** included.

h	STEEL
5/8"	4579
7/8"	4579B



Note: Images shown are typical - actual parts may vary slightly. View our drawing files at shop.wagnercompanies.com for actual dimensions. Please review our quality expectations statement on Page 219.

** Bronze 1/4" formed wall mount bracket only available in 3/16" thick material.*

NUMBERS IN BOLD TYPE are typically in stock. Other items may not be available for immediate shipment or are made-to-order - requiring a minimum quantity and a longer lead time. Visit shop.wagnercompanies.com for availability.