

Snap-On Cover Flange

For Clean, Concealed Mounting of Posts, Grab Bars and Handrail Brackets.

This system of **Base Plates** and **Snap-On Flanges** is engineered for installations that require securely covered anchorage. It provides a unique lock-down system for non-structural covering of **Anchor Bolts** in a variety of materials.

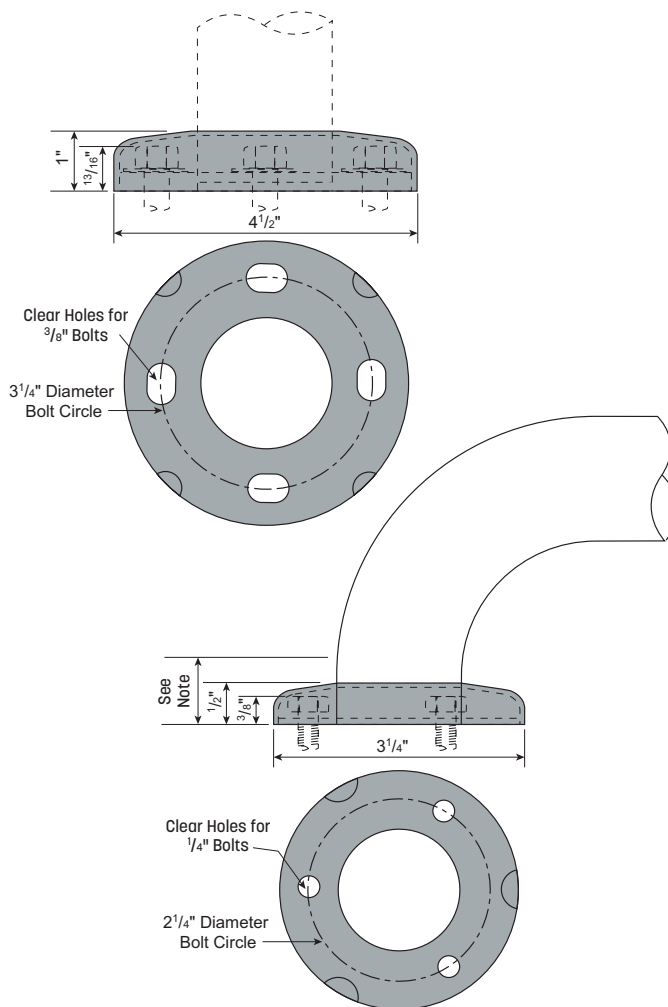
The secure connection of cover to base is provided by formed tabs produced with precise tolerances.

These **Flanges** are available in Steel, Aluminum, Stainless Steel and Bronze in sizes up to 2.375" OD. They are stocked in mill finish, but polishing, galvanizing or anodizing are available on request. Contact **Wagner** at rfq@mailwagner.com.

The **Anchor Plate** and **Cover** may be dissimilar metals.

	Standard Alloys
Steel	1006 - 1010
Aluminum	3003, 6063
Stainless Steel	Type 304
Brass	C26000

Other alloys are available on special request.



Note: Allow enough straight tangent at end of bend to permit **Flange** to swing and snap into place.
Note: Verify material OD prior to order - see page 59.



Snap-On Cover Flange

18 Gauge.

3/4" Diameter **Cover** Has Clearance for 1/4" **Bolts**.

4 1/2" Diameter **Cover** Has Clearance for 3/8" **Bolts**.

Pipe Size	OD	STEEL	3003 ALUMINUM	TYPE 304 STAINLESS	SATIN STAINLESS	C26000 BRASS	Cover Diam.	Ht.
.50"		2021	2022	2023	2023.4		3 1/4"	1/2"
.625"		2031	2032	2033	2033.4		3 1/4"	1/2"
.75"		2041	2042	2043			3 1/4"	1/2"
1.00"		2051	2052	2053		2054	3 1/4"	1/2"
1.25"		2061	2062	2063		2064	3 1/4"	1/2"
1"	1.315"	2055	2056	2057			3 1/4"	1/2"
1.50"		2071	2072	2073	2073.4	2074	3 1/4"	1/2"
1 1/4"	1.66"	2065	2066	2067	2067.4	2068†	4 1/2"	1"
1 1/2"	1.90"	2075	2076	2077	2077.4	2078†	4 1/2"	1"
	2.00"	2081	2082	2083	2083.4	2084	4 1/2"	1"
2"	2.375"	2085	2086	2087	2087.4		4 1/2"	1"

† Denotes Bronze items, Alloy C28000.



2065

Snap-On Cover Flange Base

3/8" Diameter **Base** Has Three Clear Mounting Holes for 1/4" **Bolts**.

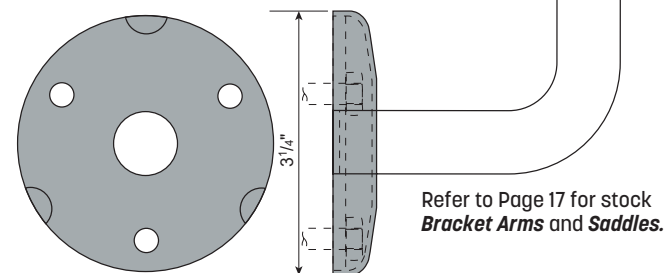
4 3/8" Diameter **Base** Has Four Clear Mounting Holes for 3/8" **Bolts**.

Pipe Size	Center Hole OD	STEEL	3003 ALUMINUM	TYPE 304 STAINLESS	C26000 BRASS	Cover Diameter	Thick.
.50"		2021B	2022B	2023B		3 1/8"	.179"
.625"		2031B	2032B	2033B		3 1/8"	.179"
.75"		2041B	2042B	2043B		3 1/8"	.179"
.75"			2042C**			3 1/8"	.179"
1.00"		2051B		2053B		3 1/8"	.179"
1.25"		2061B	2062B	2063B	2064B	3 1/8"	.179"
1"	1.315"	2055B	2056B	2057B		3 1/8"	.179"
1.50"		2071B	2072B	2073B	2074B	3 1/8"	.179"
1 1/4"	1.66"	2065B	2066B	2067B*	2068B	4 3/8"	.25"
1 1/2"	1.90"	2075B	2076B	2077B*	2078B	4 3/8"	.25"
2.00"		2081B	2082B	2083B*	2084B	4 3/8"	.25"
2"	2.375"	2085B	2086B	2087B*		4 3/8"	.25"

*Thickness = .188".

**Two Countersunk Mounting Holes.

The number of mounting holes is determined by the size of the **Flange Base**. Contact **Wagner** with your requirements.



Refer to Page 17 for stock **Bracket Arms** and **Saddles**.

STANDARD PRODUCTS

RAILING SYSTEMS

TRADITIONAL RAILING

CUSTOM SERVICES

APPENDIX