

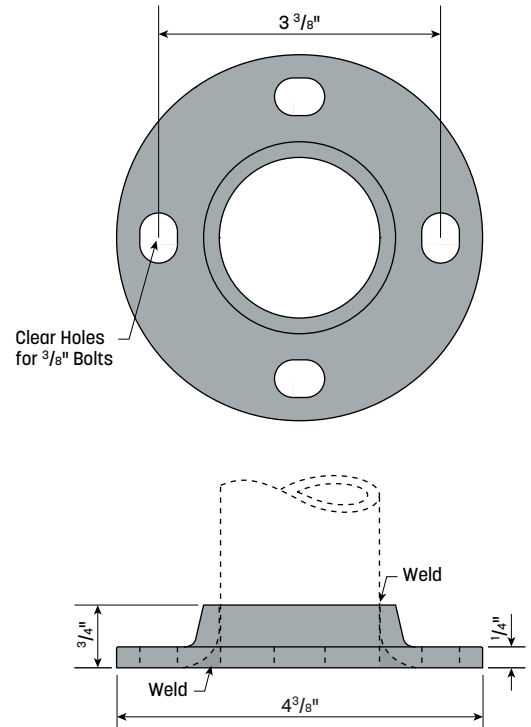
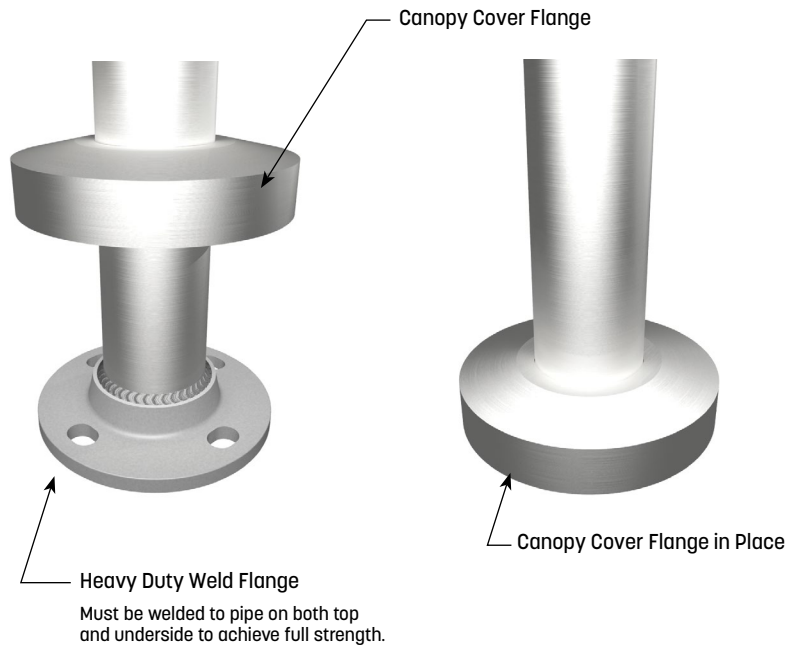
Heavy Duty Weld Flange with Canopy

Meets Structural Load Requirements for Surface Mounted Railings When Properly Installed and Specified*

Current model code requirements require that *Guards* and *Handrail* must meet either a 50 lb/ft uniform load or a 200 lb concentrated load. This has been a particular challenge when surface mounting a post-mounted railing system. Under load, most flanges used for a surface mount will deform.

This **Heavy Duty Weld Flange** has been designed and tested to meet these requirements. It is recommended that the flange be welded at both the top and the underside of the flange to achieve maximum strength.

	Standard Alloys
Steel	1006 - 1010
Stainless Steel	Type 304

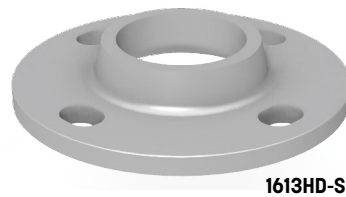


Heavy Duty Weld Flange

4 3/8" diameter with four oval mounting holes, clear for 3/8" Bolts.

May be used with or without a **Canopy Flange**.

For Use with Pipe Size	Pipe Diameter	STEEL	TYPE 304 STAINLESS	Thickness
1/4"	1.66"	1613HD	1613HD-S	1/4"
1/2"	1.90"	1623HD	1623HD-S	1/4"

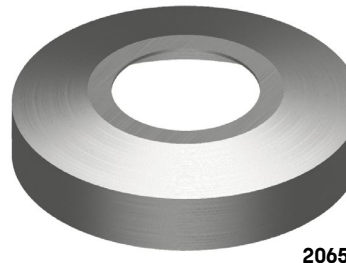


Canopy Flange

4 1/2" diameter, 18 gauge. **Cover** has clearance for 3/8" Bolt Heads.

This **Canopy Flange** drops into place. Use **Epoxy** or **Silicone** to affix to **Heavy Duty Weld Flange**.

For Use with Pipe Size	Pipe Diameter	STEEL	TYPE 304 STAINLESS	Height
1/4"	1.66"	2065	2067	1"
1/2"	1.90"	2075	2077	1"



* Post strength is a function of alloy, pipe size, post height, post spacing, fastener selection and weld quality. We recommend use of this flange with 1/4" or 1/2" pipe size (1.66" or 1.90" diameter), Schedules 40 or 80 (.140" or .200" wall). Post spacing should be limited to between 4 and 5 feet on center. P.E. evaluation of specific installations may be required. Fastener selection will vary depending on substrate. Consult with your fastener supplier to determine the best option for your application.

NUMBERS IN BOLD TYPE are typically in stock. Other items may not be available for immediate shipment or are made-to-order - requiring a minimum quantity and a longer lead time. Visit shopwagner.com for availability.