

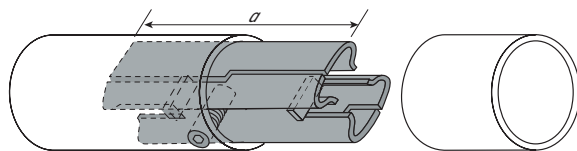
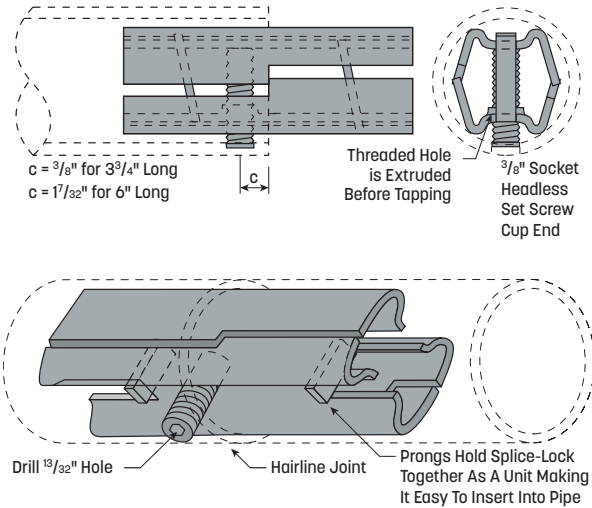
# Single-Lock Splice-Locks

Available in Steel, Aluminum Alloy 3003 and Stainless Steel Type 304. **Splice-Locks** are designed for the alignment of **Handrail** sections and as expansion joints. They are most effective as a joint stiffener when used within 12" of a welded **Post** or **Handrail Bracket**.

The **Screw** hole is threaded into the **Connector** and the **Splice-Lock's** prongs hold the piece together as a unit allowing for simple insertion into the **Pipe** or **Tube**. The **Set Screw** is a headless socket with a cup end.

**Splice-Locks** have a similar shear strength as standard **Pipe** but are not to be used in **Post Assemblies**.

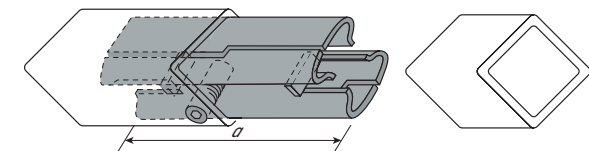
**Single-Lock Splice-Locks** are for use as **Connectors** or expansion joints. For maximum strength, use **Double-Lock Splice-Locks** shown on the next page.



Use as **Connectors** or Expansion Joints

## Single Splice-Lock for Pipe and Round Tubing

Pipe Sch.	Tube Diameter	Wall	a	STEEL	PLATED STEEL	HOT DIP GALVANIZED STEEL	ALUMINUM	STAINLESS	Set Screw
	1.25"	.065"	3 3/4"	<b>3312</b>	<b>PL3312</b>		<b>3331</b>	<b>3332</b>	5/16" x 7/8"
1"	40	1.315"	.133"	<b>3310</b>	<b>PL3310</b>	<b>G3310</b>	<b>3311</b>	<b>3313</b>	5/16" x 7/8"
	1.50"	.065"	3 3/4"	<b>3326</b>	<b>PL3326</b>		<b>3327</b>	<b>3329</b>	3/8" x 1"
	1.50"	.120"	3 3/4"	<b>3326-2</b>	<b>PL3326-2</b>		<b>3327-8</b>	<b>3329-8</b>	3/8" x 1"
1 1/4"	5	1.66"	.065"					<b>3317-5</b>	3/8" x 1"
1 1/4"	40	1.66"	.140"	<b>3314</b>	<b>PL3314</b>	<b>G3314</b>	<b>3315</b>	<b>3317</b>	3/8" x 1"
1 1/4"	40	1.66"	.140"	<b>3320</b>	<b>PL3320</b>	<b>G3320</b>		<b>3348-6</b>	3/8" x 1"
1 1/4"	80	1.66"	.191"	<b>3316</b>	<b>PL3316</b>				3/8" x 1"
1 1/2"	5	1.90"	.065"					<b>3335</b>	3/8" x 1 3/8"
1 1/2"	40	1.90"	.145"	<b>3318</b>	<b>PL3318</b>	<b>G3318</b>	<b>3319</b>	<b>3321</b>	3/8" x 1 3/8"
1 1/2"	40	1.90"	.145"	<b>3324</b>	<b>PL3324</b>	<b>G3324</b>		<b>3349</b>	3/8" x 1 3/8"
1 1/2"	80	1.90"	.200"	<b>3348</b>	PL3348		<b>3319H</b>		3/8" x 1 3/8"
	2.00"	.065"	3 3/4"	<b>3338</b>	<b>PL3338</b>			<b>3335</b>	3/8" x 1 3/8"
	2.00"	.065"	6"	<b>3338-6</b>	<b>PL3338-6</b>			<b>3335-6</b>	3/8" x 1 3/8"
	2.00"	.120"	3 3/4"	<b>3338</b>	<b>PL3338</b>			<b>3335</b>	3/8" x 1 3/8"
2"	40	2.375"	.154"	<b>3322</b>	<b>PL3322</b>	<b>G3322</b>	<b>3323</b>	<b>3325</b>	3/8" x 1 5/8"
2"	40	2.375"	.154"	<b>3334-6</b>	<b>PL3334-6</b>	<b>G3334-6</b>		<b>3337</b>	3/8" x 1 5/8"
2"	80	2.375"	.218"	<b>3330</b>	<b>PL3330</b>		<b>3323H</b>		3/8" x 1 5/8"



## Single Splice-Lock for Square Tubing

Size	Wall Thickness	a	STEEL	PLATED STEEL	ALUMINUM	STAINLESS	Set Screw
1.25"	.125"	3 3/4"	<b>3340</b>		<b>3343</b>	<b>3346</b>	5/16" x 7/8"
1.50"	.125"	6"	<b>3341-6</b>	<b>PL3341-6</b>		<b>3347-6</b>	3/8" x 1"
1.50"	.188"	3 3/4"	<b>3341-2</b>	<b>PL3341-2</b>	<b>3344-2</b>	<b>3347-2</b>	3/8" x 1"
2.00"	.125"	3 3/4"	<b>3341-4</b>		<b>3344-4</b>	<b>3347-4</b>	3/8" x 1 5/8"
2.00"	.125"	6"	<b>3341-46</b>	<b>PL3341-46</b>			3/8" x 1 5/8"



## Single-Lock Splice-Lock Assembly

The **Splice-Lock** contacts the inside of the **Pipe** or **Tube** in four areas along its length to ensure alignment and maximum strength.

1. Drill 13/32" diameter hole for 3/8" **Screws** or 11/32" hole for 5/16" **Screws**. This clear hole should be centered 3/8" from the end of each **Pipe** or **Tube** for 3 3/4" **Splice-Locks** or 1 7/32" to center for 6" **Splice-Locks**, as shown.
2. Insert **Splice-Lock** into this first section.
3. Insert and partially tighten the **Set Screw**.
4. Slide other section to be joined over the **Splice-Lock**.
5. Complete tightening of the **Set Screw** until no movement is possible.

Resultant action: **Splice-Lock** contacts inside of **Pipe** or **Tube** in four areas along the full length to ensure alignment and maximum strength.

**NUMBERS IN BOLD TYPE** are typically in stock. Other items may not be available for immediate shipment or are made-to-order - requiring a minimum quantity and a longer lead time. Visit [shop.wagnercompanies.com](http://shop.wagnercompanies.com) for availability.