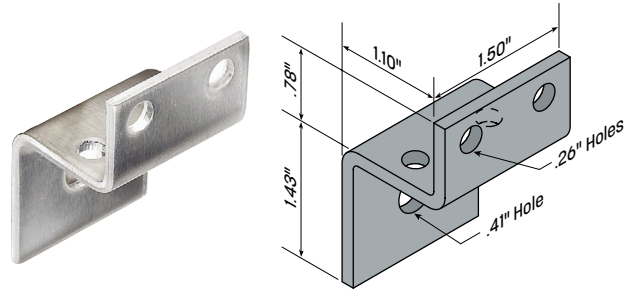


Zee Brackets

10 Ga. Thick. Packages of 25.

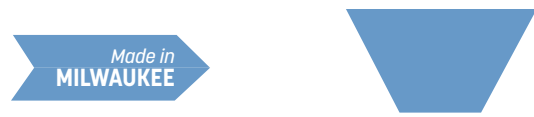
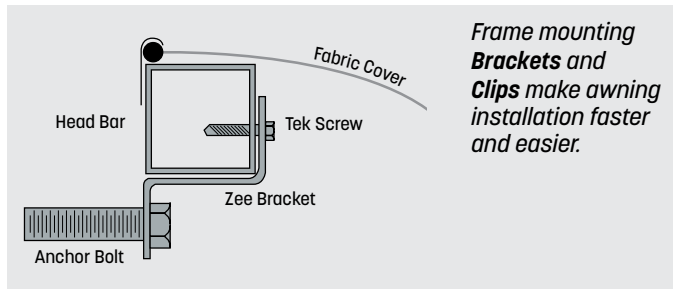
STEEL	ZINC PLATED STEEL	ALUMINUM
43-25	43P-25	44-25



Zee Brackets

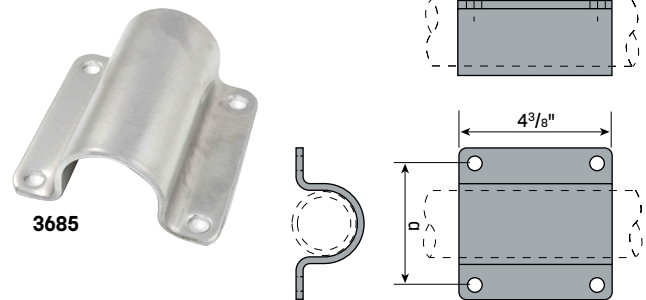
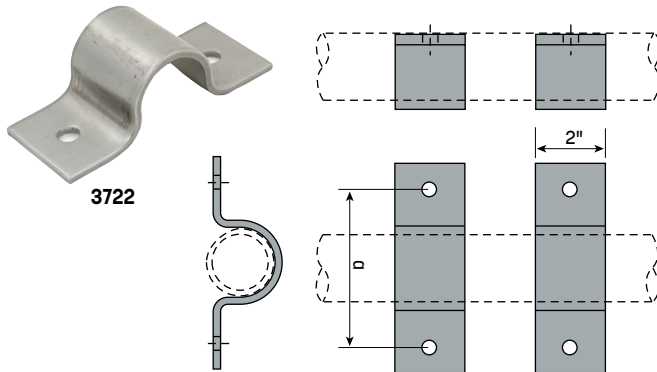
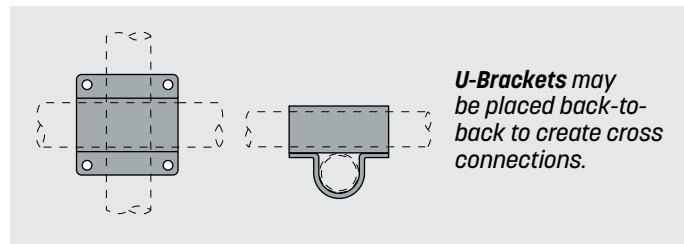
10 Ga. Thick. Packages of 25.

ZINC PLATED STEEL	ALUMINUM	STAINLESS STEEL
46P-25	47-25	48-25



U-Brackets

All **U-Brackets** are made for a friction fit. For slip-fit, add spacers beneath the mounting area. All holes are 7/16" diameter.



U-Brackets

2" Wide, 3/16" Thick (except as noted).

Pipe Size	Tube OD	a	STEEL	3003 ALUMINUM	304 STAINLESS
1"	1.315"	3 3/4"	3741*		
	1.500"	4 1/2"	3722	3722A	3722-SS
1 1/4"	1.660"	4 1/2"	3750*	3756*	3762-SS
1 1/4"	1.660"	4 1/2"	3750-NH*		
1 1/2"	1.900"	4 1/2"	3752*	3758	3764-SS
1 1/2"	1.900"	4 1/2"	3752-NH	3758-NH*	
	2.000"	4 1/2"	3723	3723A	
2"	2.375"	4 1/2"	3754*	3760*	3766-SS
2 1/2"	2.875"	5 3/4"	3755*		

-NH denotes part with no holes.
* 1/4" Thick, Alloy 5052

U-Brackets

4 3/8" High, 3/16" Thick.

Pipe Size	Tube OD	a	STEEL	3003 ALUMINUM	304 STAINLESS	SATIN STAINLESS
1 1/4"	1.660"	3 1/2"	3682	3683	3682-SS	3682-SS.4
1 1/4"	1.660"	3 1/2"	3682-NH			
1 1/2"	1.900"	3 1/2"	3684	3685	3684-SS	
1 1/2"	1.900"	3 1/2"	3684-NH	3685-NH		
	2.000"	3 1/2"	3727	3727A	3727-SS	
2"	2.375"	4"	3684A	3685A	3685-SS	

-NH denotes part with no holes.

NUMBERS IN BOLD TYPE are typically in stock. Other items may not be available for immediate shipment or are made-to-order - requiring a minimum quantity and a longer lead time. Visit shopwagner.com for availability.