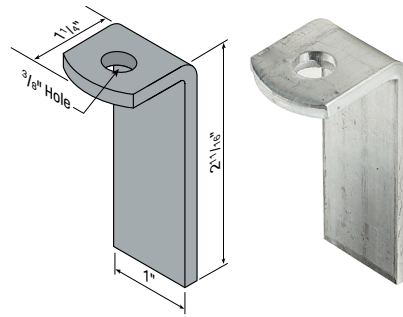


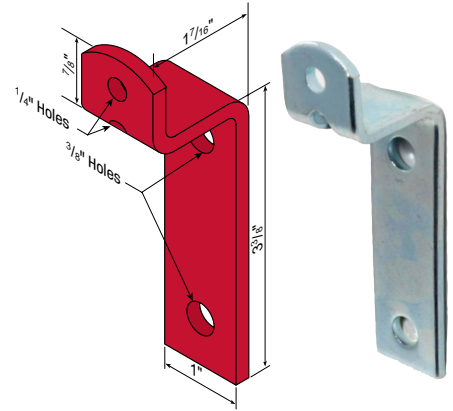
Made in MILWAUKEE



Frame Mounting Bracket

3/16" Thick. For 1" *Square* or *Round Tube*.
Packages of 25

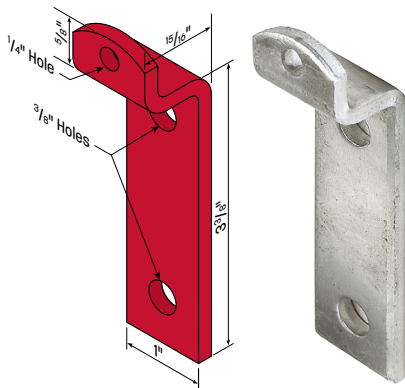
Thickness	STEEL
3/16"	37-25



Frame Mounting Bracket

3/16" Thick. For 1" *Square* or *Round Tube*.
Packages of 25

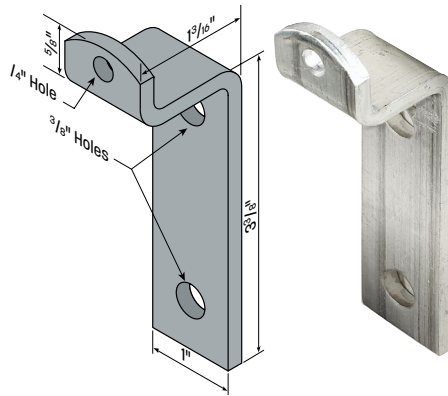
Thickness	ZINC PLATED STEEL
3/16"	19P-25



Frame Mounting Bracket

3/16" Thick. For 3/4" *Square* or *Round Tube*.
Packages of 25

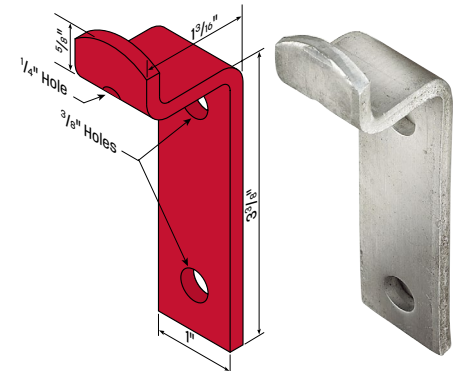
Thickness	ZINC PLATED STEEL
3/16"	5P-25



Frame Mounting Bracket

3/16" Thick. For 1" *Square* or *Round Tube*.
Packages of 25

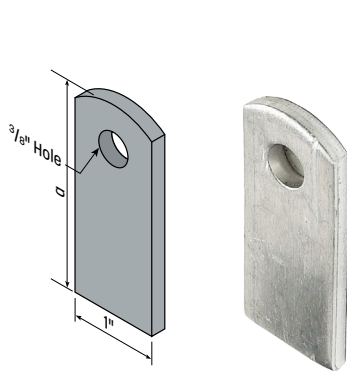
Thickness	ZINC PLATED STEEL
3/16"	13P-25



Frame Mounting Bracket

3/16" Thick. For 1" *Square* or *Round Tube*.
Packages of 25

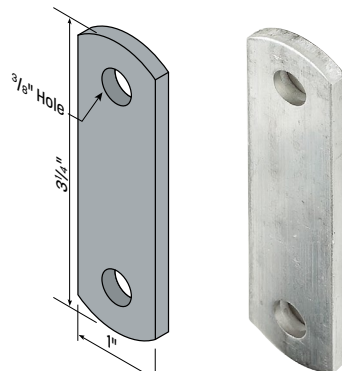
Thickness	ZINC PLATED STEEL
3/16"	15P-25



Weld Mount

3/16" Thick with 3/8" Hole.
Packages of 25

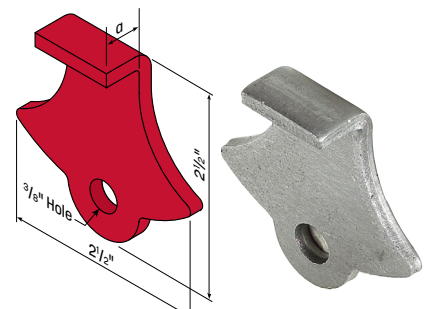
a	STEEL	ZINC PLATED STEEL	ALUMINUM
1 1/2"	21-25	21P-25	22-25
2 3/8"	23-25	23P-25	24-25



Weld Mount

3/16" Thick with 3/8" Hole.
Packages of 25

Thickness	STEEL	ZINC PLATED STEEL	ALUMINUM
3/16"	33-25	33P-25	34-25



Frame Mounting Bracket

3/16" Thick. For 1" *Square* or *Round Tube*.
Packages of 25

a	STEEL
1/2"	39-25

STANDARD PRODUCTS

RAILING SYSTEMS

TRADITIONAL RAILING

CUSTOM SERVICES

APPENDIX