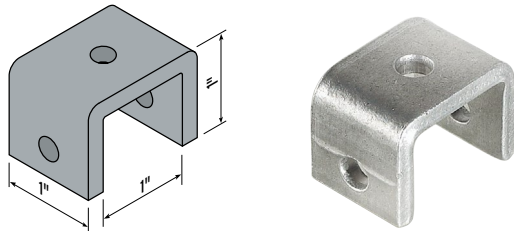
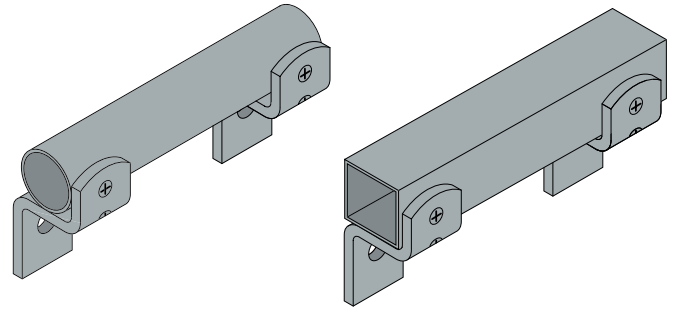


Fabric Mounting Hardware Design Features

For Awnings and Other Fabric Structures

- $\frac{3}{16}$ " Thick, 1" wide with rolled edges.
- Corner screw hole to draw the **Tube** into solid contact with both sides and base of the **Bracket** and for ease of drilling through **Tube**.
- Cut off ends have minimized burr facing away from contact surfaces.
- With holes as shown.
- Available in Stainless Steel Type 304 or 316 on request.



U-Clip

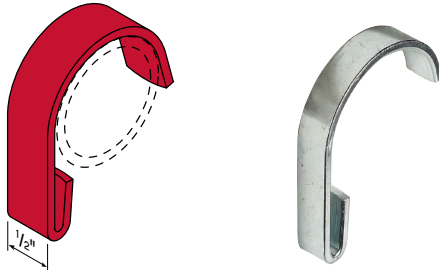
$\frac{3}{16}$ " Thick with $\frac{1}{4}$ " Holes.
Packages of 25

Thickness	ZINC PLATED STEEL	ALUMINUM
$\frac{3}{16}$ "	41P-25	42-25

Weld Mount

$\frac{3}{16}$ " Thick with $\frac{3}{8}$ " Hole.
Packages of 25

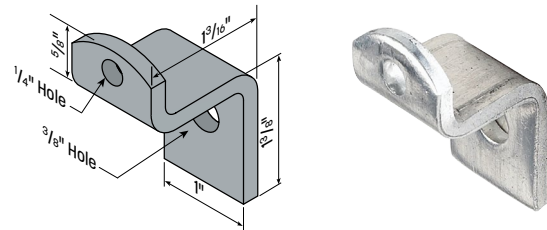
Thickness	STEEL	ZINC PLATED STEEL	ALUMINUM
$\frac{3}{16}$ "	25-25	25P-25	26-25



Fabric Clip

$\frac{1}{8}$ " Thick. For 1.50" OD Tube and $1\frac{1}{2}$ " Pipe (1.90" OD).
Packages of 25

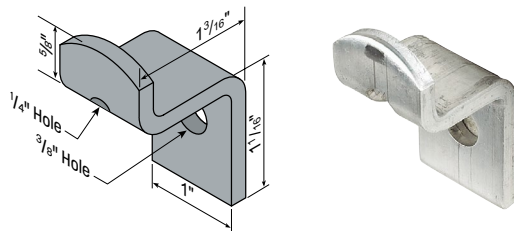
Thickness	FOR USE WITH	ZINC PLATED STEEL
$\frac{1}{8}$ "	1.50" OD	50P-25
$\frac{1}{8}$ "	1.90" OD	52P-25



Frame Mounting Bracket

$\frac{3}{16}$ " Thick. For 1" Square or Round Tube.
Packages of 25

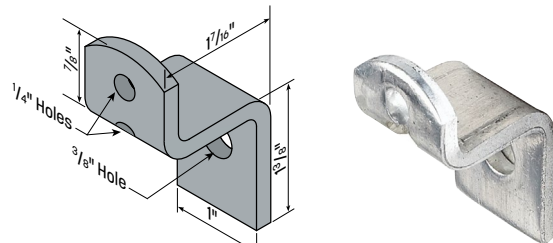
Thickness	ZINC PLATED STEEL	ALUMINUM
$\frac{3}{16}$ "	9P-25	10-25



Frame Mounting Bracket

$\frac{3}{16}$ " Thick. For 1" Square or Round Tube.
Packages of 25

Thickness	ZINC PLATED STEEL	ALUMINUM
$\frac{3}{16}$ "	11P-25	12-25



Frame Mounting Bracket

$\frac{3}{16}$ " Thick. For 1" Square or Round Tube.
Packages of 25

Thickness	ZINC PLATED STEEL	ALUMINUM
$\frac{3}{16}$ "	17P-25	18-25

NUMBERS IN BOLD TYPE are typically in stock. Other items may not be available for immediate shipment or are made-to-order - requiring a minimum quantity and a longer lead time. Visit shopwagner.com for availability.