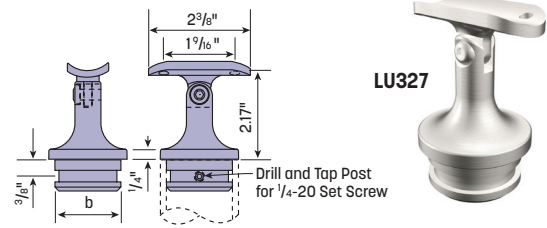


Adjustable Post Mount Bracket

For use with **Stainless Steel Posts**. **Saddle** adjusts to stair or ramp angle as needed.

Adjustable **Bracket** - 0 to 36 degree range.

b	Pipe Size	Diameter	Schedule	Wall	316 SATIN STAINLESS
1.25"		1.50"		.120"	LU329
1.37"	1 1/4"	1.66"	40	.140"	LU328
1.60"	1 1/2"	1.90"	40	.145"	LU327

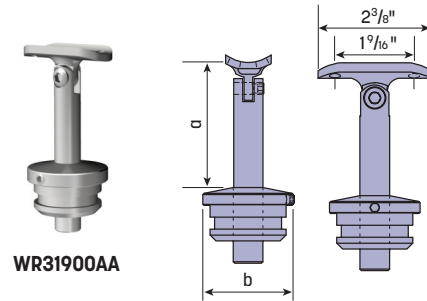


Adjustable Post Mount Bracket

For use with **Stainless Steel Posts**.

Vertical and angle are both adjustable. 0 to 36 degree range.

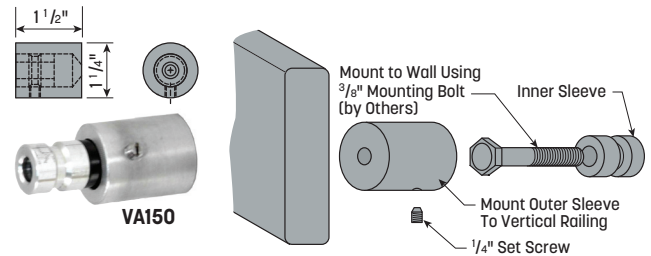
b	Pipe	Diameter	Sch.	Wall	a	316 SATIN STAINLESS
1.25"	1.50"	.120"	2 1/4" - 4 3/8"			WR31500AA
1.37"	1 1/4"	1.66"	40 .109 - .140"	2 1/4" - 4 3/8"		WR31660AA
1.60"	1 1/2"	1.90"	40 .109 - .145"	2 1/4" - 4 3/8"		WR31900AA



Vertical Mount Handrail Bracket - Stand-Off

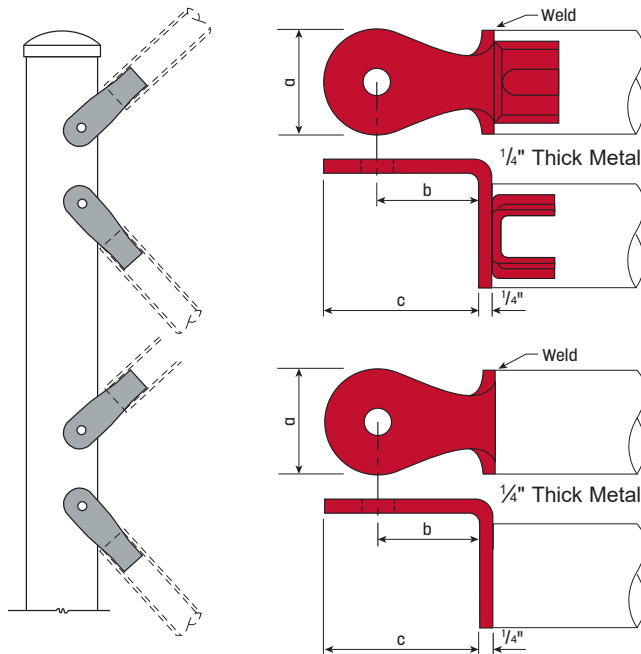
Useful for elevator cab corridor railing applications.

SATIN ALUMINUM	304 SATIN STAINLESS	SATIN BRASS
VA150	VS150	VB150



Square & Rectangular Post Fittings

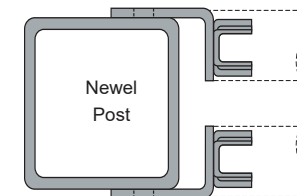
These fittings permit the mounting of pipe railings directly to square or rectangular post material. They are available for bolt on or weld applications.



Weld Type With Yoke

1/4" Thick.

Pipe Size	a	b	c	STEEL WITH 1/2" HOLE	STEEL WITH OUT HOLE
1 1/4"	1 5/8"	1 5/8"	2 3/8"	5019	5019NH



Weld Type Without Yoke

1/4" Thick.

Pipe Size	a	b	c	STEEL WITH 1/2" HOLE	STEEL WITH OUT HOLE
1 1/4"	1 5/8"	1 5/8"	2 3/8"	5020	5020NH



Dimensions shown are for reference only. Download image file at shop.wagnercompanies.com to confirm dimensions prior to specifying.