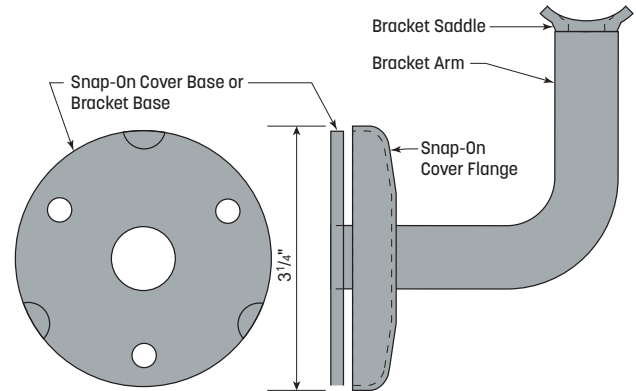


Bar Bracket Components

These components provide the parts necessary to fabricate **Brackets** for your unique requirements. Weld the **Bracket Arm** directly to your **Post** or attach to a **Bracket Base** to make a **Wall Mount Handrail Bracket**. Trim the **Bracket Arm** as needed to match your projection requirements.

When longer **Bracket Arms** are called for, **Wagner** can manufacture **Bar Bends** specific for your job. Be aware that longer **Bracket Arms** will increase stress at the wall connection. Reducing **Bracket** spacing will strengthen the rail in such cases. Consult with a structural engineer in extreme situations.

Contact rfq@mailwagner.com.



Bracket Arm

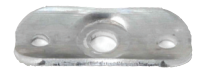
- Inside Radius = Bar Diameter × 1.50".
- Ends Untrimmed, No Holes; 3" Legs.
- Mill Finish.
- Contact **Wagner** for finish and hole options.



Bar Diameter	STEEL	6063 ALUMINUM	304 STAINLESS	316 STAINLESS	C36000 BRASS	C38500 BRONZE
1/2"	R110	R240	R120	R120.316	R130	R210
5/8"	R140	R250	R150		R160	R220
3/4"	R170	R260	R180	R180.316	R190	R230

Bracket Saddle

- 2 1/2" Long × 1" Wide × 12 Gauge.
- With Two Holes Clear for 1/4" Screws.
- One 3/8" Center Hole.
- For 1.50" to 2.00" Diameter Material.
- Mill finish except as noted



S102

Round Saddle

STEEL	3003 ALUMINUM	304 STAINLESS	304 SATIN STAINLESS	316 STAINLESS	C36000 BRASS	C28000 BRONZE
S101	S102	S103	S103.4	S103.316	S104	S105

Flat Saddle

STEEL	3003 ALUMINUM	304 STAINLESS	C36000 BRASS	C28000 BRONZE
S101F	S102F	S103F	S104F	S105F

Bracket Base

- 3" Diameter × 1/4" Thick.
- With or Without Holes.
- Mill Finish.
- Contact **Wagner** for finish and other hole configuration options.



D143C6

Hole Size	STEEL	5052 ALUMINUM	304 STAINLESS	316 STAINLESS	C26000 BRASS	C28000 BRONZE
No Hole	D143	D144	D145	D145.316	D146	D146M
1/2"	D143C5	D144C5	D145C5		D146C5	D146MC5
5/8"	D143C6	D144C6	D145C6		D146C6	D146MC6
3/4"	D143C7	D144C7	D145C7		D146C7	

Snap-On Cover Flange Base

- .180" Thick.
- 3.17" Diameter.
- Three Mounting holes Clear For 1/4" Bolts.
- Refer to page 59 For Additional Sizes.



Center Hole	STEEL	3003 ALUMINUM	304 STAINLESS	316 STAINLESS
1/2"	2021B	2022B	2023B	2023B.316
5/8"	2031B	2032B	2033B	2033B.316
3/4"	2041B	2042B	2043B	2043B.316

Snap-On Cover Flange

- Mill Finish. Contact **Wagner** for Other Options.
- 18 Ga. 3 1/4" Diameter 1/2" High
- Refer to page 59 for Additional Sizes.



2023

Hole	STEEL	3003 ALUMINUM	304 STAINLESS	316 STAINLESS
1/2"	2021	2022	2023	2023.316
5/8"	2031	2032	2033	
3/4"	2041	2042	2043	2043.316.6

Glass Mount Adapter Kits

Most of the **Glass Mount Brackets** shown on page 20 and 21 use these **Glass Mount Adapter Kits**. Aluminum and Brass **Brackets** use **Disk** with a countersunk hole and **Bolt**. Stainless Steel **Brackets** use a **Disk with a Welded Stud**.

Kit containing 1 Disk with countersunk hole, 2 **Gaskets**, 1 **Spacer** and 1 **Bolt**.

Glass Thickness	Disk Diameter	SATIN ALUMINUM*	SATIN BRONZE
1/2"	3.00"	GB4381K	GB4385K
3/4"	3.00"		GB4385K.75
1/2"	1.90"	GB4386K	
1/2"	1.25"	GB2000K	GB4000K
3/4"	1.25"		GB4000K.75

* Note: A Stainless Steel Bolt is provided with the Aluminum kit.



Kit contains 1 **Disk with Welded Stud**, 2 **Gaskets**, and 1 **Spacer**.

Glass Thickness	Disk Diameter	304 SATIN STAINLESS*	316 SATIN STAINLESS*
1/2"	3.00"	GB4383K	GB4383K.316
3/4"	3.00"	GB4383K.75	
1/2"	1.90"	GB4387K	
1/3"	1.90"	GB4387K.75	
1/2"	1.25"	GB3000K	
3/4"	1.25"	GB3000K.75	



STANDARD PRODUCTS

RAILING SYSTEMS

TRADITIONAL RAILINGS

CUSTOM SERVICES

APPENDIX

