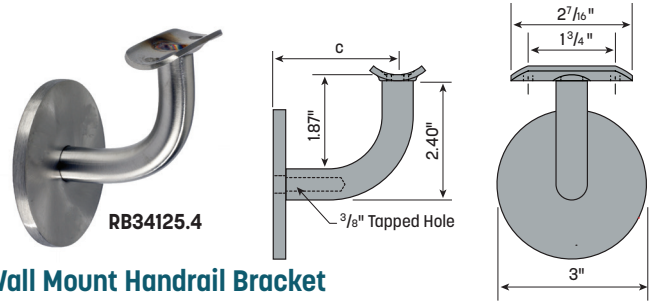
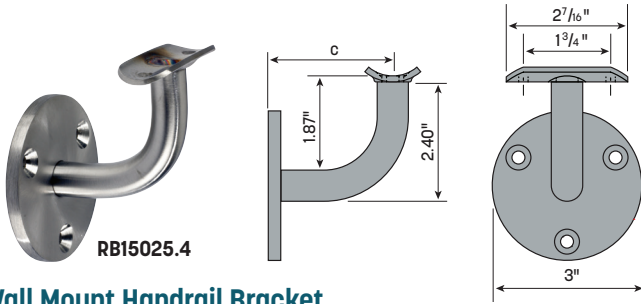


Assembled Bar Brackets

These **Brackets** are assembled from the **Components** shown on page 17. Provided with three countersunk holes for 1/4" **Mounting Screws**.

Custom designs are also available to meet your specific requirements. Contact **Wagner** with your requirements.



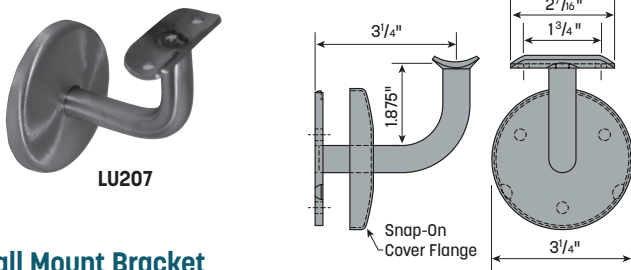
Wall Mount Handrail Bracket

c	MILL FINISH STEEL	304 SATIN STAINLESS	SATIN BRASS
2 1/2"	RB14025	RB15025.4	RB16025.4
3 1/4"	RB14030	RB15030.4	RB16030.4

Wall Mount Handrail Bracket

c	MILL FINISH STEEL	SATIN ALUMINUM	304 SATIN STAINLESS	SATIN BRASS
2 1/2"	RB14125	RB24125	RB34125.4	RB44125.4
3 1/4"	RB14130	RB24130	RB34130.4	RB44130.4

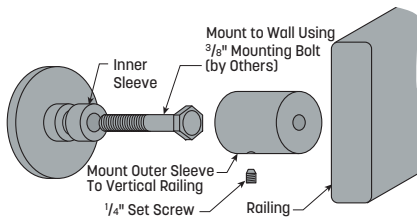
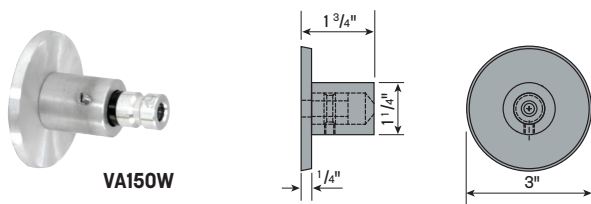
Note: Steel and Stainless **Saddles** are welded in place. Brass **Saddle** is screwed in place.



Wall Mount Bracket

Satin clear anodized finish is AA M32 C22 A21.

SATIN ALUMINUM	SATIN ANODIZED ALUMINUM	304 SATIN STAINLESS
LU207	LU207.AN	LU206



Vertical Mount - Stand-Off

Useful for elevator cab applications. **Adapters** (page 24) sold separately. Also available without **Wall Flange** - see page 19. Satin finish.

SATIN ALUMINUM	304 SATIN STAINLESS	SATIN BRASS
VA150W	VS150W	VB150W

Building Code Issues

Check with your local code authorities prior to specifying any railing system. The following are the most common requirements in commercial and residential applications:

- **Handrail** is required on stairs and ramps.
- Height: 34 to 38 inches above stair nosings and ramp surfaces.
- Load Requirements:
 - 50 lbs/ft uniform load or
 - 200 lbs. concentrated load
- Clearance:
 - Between wall and **Handrail**: 1 1/2" minimum
 - Exceptions:
 - NFPA 101: 2 1/4" minimum
 - 1991 ADAAG: 1 1/2" between the wall and **Handrail** (Updated to 1 1/2" minimum for 2010 ADASAD)
 - Between underside of **Handrail** and horizontal **Bracket Arm**:
 - 1 1/2" minimum
 - Exceptions:
 - For each 1/2" of additional **Handrail** perimeter dimension above 4", the vertical clearance dimension of 1 1/2" shall be reduced by 1/8".

Railing Diameter	Perimeter	Subtract From Underside of Railing	Clearance From Underside of Railing
1.25"	3.92"	0	1 1/2"
1.50"	4.71"	-1/8"	1 3/8"
1.66"	5.21"	-1/4"	1 1/4"
1.90"	5.97"	-1/2"	1"
2.00"	6.28"	-1/2"	1"

Refer to page 222 for other code related information.

NUMBERS IN BOLD TYPE are typically in stock. Other items may not be available for immediate shipment or are made-to-order - requiring a minimum quantity and a longer lead time. Visit shop.wagnercompanies.com for availability.