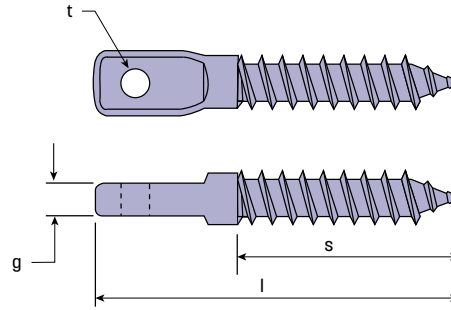


Mounting Aids



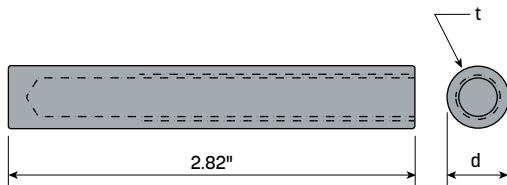
Post with an Ultra-tec Fixed Jaw attached.



Ultra-tec® Lag Eye

A convenient, easy-to-install means for attaching an Adjust-A-Jaw® or Adjust-A-Body® tensioner, Ultra-tec Fixed Jaw, or Push-Lock™ fitting with threaded eye to a wood post.

Cable Size	g	t	s	l	STAINLESS
1/8"	.232"	.256"	1.50"	2.23"	CRLE6
3/16"	.232"	.256"	1.50"	2.23"	CRLE6
1/4"	.290"	.393"	2.00"	3.55"	CRLE8
5/16"	.290"	.393"	2.00"	3.55"	CRLE8
3/8"	.290"	.393"	2.00"	3.55"	CRLE8
1/8"	.232"	.256"	3.00"	3.73"	CRLE6L
3/16"	.232"	.256"	3.00"	3.73"	CRLE6L



Invisiware® Welded Receiver

A fixed end, non-tensioning device, the Invisiware welded receiver provides *a sturdy, threaded receptacle in the end post for an Invisiware swaging stud* (see page 143). The Invisiware welded receiver is cut to length if necessary, inserted in a hole drilled through the post and welded to the outside wall. The welded surface is then ground to the original contour of the post, thus hiding the weld.

Cable Size	d	t	Use with Stud #	STEEL	STAINLESS
1/8"	.437"	5/16-24	CRS4	CRWR65A	CRWR65B
3/16"	.437"	5/16-24	CRS6	CRWR65A	CRWR65B
1/4"	.531"	7/16-20	CRS8	CRWR85A	CRWR85B

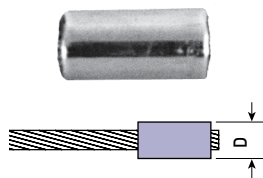
Mounting Screws

Stainless steel socket-head screws for mounting Adjust-A-Jaw and Adjust-A-Body with Threaded Eye tensioners, Ultra-tec Fixed Jaws, or Push-Lock fittings with threaded eye.

Cable Size	Screw Size	STAINLESS
1/8"	1/4-28	CRSC6
3/16"	1/4-28	CRSC6
1/4"	3/8-24	CRSC8
5/16"	3/8-24	CRSC8
3/8"	3/8-24	CRSC8



How to Swage



Invisiware Swaging Ferrule

Stainless steel Invisiware swaging ferrule is used to retain an Adjust-A-Jaw, Adjust-A-Body, a Fixed Jaw or a Hex Head Tensioner onto a piece of cable.

Cable Size	D after Swaging	STAINLESS
1/8"	.250"	CRF4
3/16"	.250"	CRF6
1/4"	.375"	CRF8
5/16"	.500"	CRF10
3/8"	.500"	CRF12

NUMBERS IN BOLD TYPE are typically in stock. Other items may not be available for immediate shipment or are made-to-order - requiring a minimum quantity and a longer lead time. Visit shopwagner.com for availability.