



How to Video



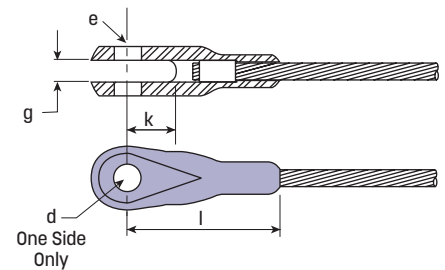
### Ultra-tec® Fixed Jaw

Often used with our Adjust-A-Jaw® tensioner (page 140), because it is **shaped to match the clevis end on the Adjust-A-Jaw tensioner but costs considerably less.** It can be used on level runs and on stairs and severe pitches.

The Ultra-tec Fixed Jaw also makes an attractive fitting where a high-tech look is desired, where you may wish to see hardware on your railing, or if you are unable to use Invisiware® radius ferrules, Ultra-tec Clip-on Stops, or Push-Lock™ fittings because there is no access to the back of the end post.

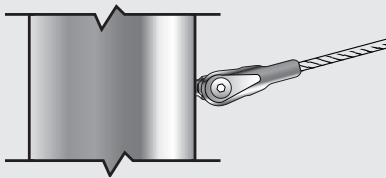
Illustrated with an Adjust-A-Jaw tensioner on this end (page 140)

Cable Size	d	e*	g	k	l	Use with Screw # (included)	Also Order Ferrule #	STAINLESS
1/8"	.26"	1/4-28	.260"	.56"	1.75"	CRSC6	CRF4	CRFJ62
3/16"	.26"	1/4-28	.260"	.56"	1.75"	CRSC6	CRF6	CRFJ62
1/4"	.39"	3/8-24	.313"	.75"	2.12"	CRSC8	CRF8	CRFJ82
5/16"	.39"	3/8-24	.348"	.87"	2.25"	CRSC8	CRF10	CRFJ122
3/8"	.39"	3/8-24	.348"	.87"	2.25"	CRSC8	CRF12	CRFJ122



\* Threaded on one side only.

**Note:** Order Ferrule separately (page 144)



You can use our Invisiware fixed tabs or threaded tabs (page 145) or lag eyes (page 146) to mount the Ultra-tec Fixed Jaw fittings to your end posts. Or you can mount them using flat bar or angle iron welded to your post with holes drilled to accept the clevis. See the tabulated drawing and chart below to determine how this fitting interfaces with your end post.

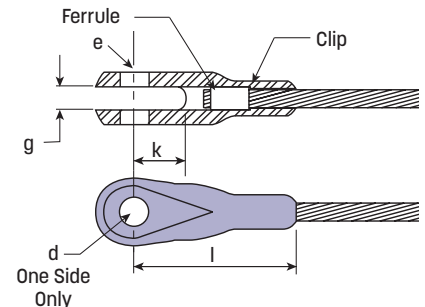


How to Swage

### Ultra-tec Clip-on Fixed Jaw

Same as our Ultra-tec Fixed Jaw fittings, except the cable is attached to the fitting with a special clip that is installed on site by hand. The cable is supplied by Wagner with a tensioner on one end and a ferrule on the other end. **There is no field swaging.** You simply slip the ferrule end of the cable through the body of the fixed jaw, slip on the special clip, then pull the cable back through the body to secure the cable inside. Check with Wagner to determine cable lengths to be supplied with swaged fittings. Available for 1/8" and 3/16" cable only.

Cable Size	d	e*	g	k	l	Use with Screw # (included)	Also Order Ferrule #	STAINLESS
1/8"	.26"	1/4-28	.26"	.56"	1.75"	CRSC6	CRF4	CRFJC2-4
3/16"	.26"	1/4-28	.26"	.56"	1.75"	CRSC6	CRF6	CRFJC2-6



\* Threaded on one side only.

**Note:** Order Ferrule separately (page 144)

STANDARD PRODUCTS

RAILING SYSTEMS

TRADITIONAL RAILING

CUSTOM SERVICES

APPENDIX