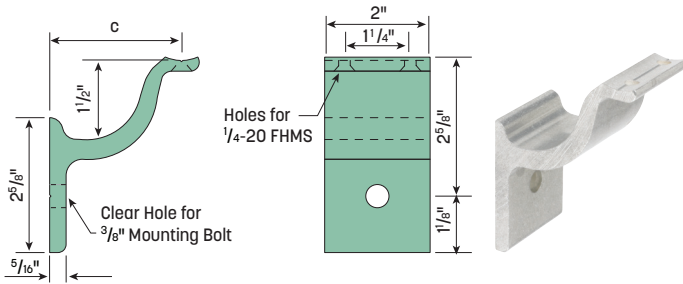
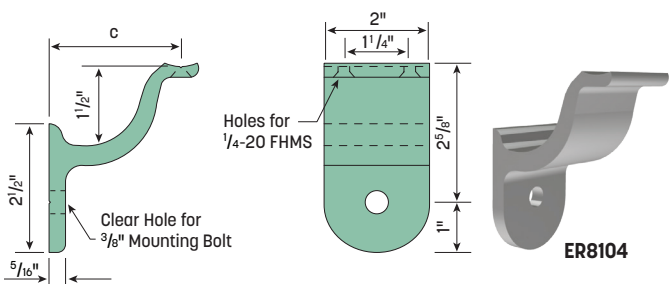


Extruded Handrail Brackets



Extruded Handrail Bracket, Square Base

c	BURNISHED* ALUMINUM	ANODIZED ALUMINUM
2 1/2"	ER8103	ER8103A
3 1/4"	ER8003	ER8003A



Extruded Handrail Bracket, Round Base

c	BURNISHED* ALUMINUM
2 1/2"	ER8104
3 1/4"	ER8004

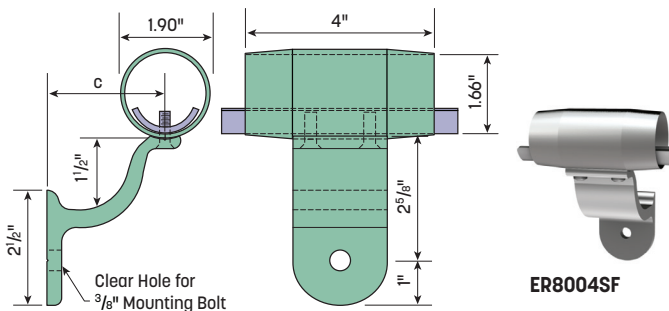
* A Burnished Finish is tumbled, but not polished. This removes burrs and creates a "matte" finish.



Long Length Shape

The **Extruded Handrail Bracket** shown above is also available in 5' lengths - without holes. Use to create **Brackets** for your specific requirements. Also available in lengths up to 10' - requires shipment by truck.

c	lb/ft	length	ALUMINUM
2 1/2"	2.50	5'	BER8103
3 1/4"	2.50	5'	BER8003



Extruded Wall Mount Slip-Fit™ Bracket

c	SATIN ALUMINUM
2 1/2"	ER8104SF
3 1/4"	ER8004SF

BUILDING CODE ISSUES

Check with your local code authorities prior to specifying any railing system. The following are the most common requirements in commercial and residential applications:

- **Handrail** is required on stairs and ramps.
- Height: 34 to 38 inches above stair nosings and ramp surfaces.
- Load Requirements:
 - 50 lbs/ft uniform load or
 - 200 lbs. concentrated load
- Clearance:
 - Between wall and Handrail: 1 1/2" minimum
 - Exceptions:
 - NFPA 101: 2 1/4" minimum
 - 1991 ADAAG: 1 1/2" between the wall and **Handrail** (Updated to 1 1/2" minimum for 2010 ADASAD)
 - Between underside of **Handrail** and horizontal **Bracket Arm**:
 - 1 1/2" minimum
 - Exceptions:
 - For each 1/2" of additional **Handrail** perimeter dimension above 4", the vertical clearance dimension of 1 1/2" shall be reduced by 1/8".

Railing Diameter	Perimeter	Subtract From Underside of Railing	Clearance From Underside of Railing
1.25"	3.92"	0	1 1/2"
1.50"	4.71"	-1/8"	1 3/8"
1.66"	5.21"	-1/4"	1 1/4"
1.90"	5.97"	-1/2"	1"
2.00"	6.28"	-1/2"	1"

Refer to Page 229 for other code related information.

While the 1991 ADAAG stated that the distance between the wall and **Handrail** had to be 1 1/2", all subsequently published model codes - including the 2010 ADASAD - now state this to be a minimum requirement.

Be aware however that NFPA 101 notes a minimum wall clearance of 2 1/4" between the wall and **Handrail**. Always confirm requirements with the local authority having jurisdiction prior to specifying any **Railing** products.

Not all Brackets will meet all code requirements. Confirm your local requirements and the Bracket dimensions prior to specifying.

NUMBERS IN BOLD TYPE are typically in stock. Other items may not be available for immediate shipment or are made-to-order - requiring a minimum quantity and a longer lead time. Visit shopwagner.com for availability.