

Style U Cast Bracket with Universal Saddle



Universal Saddle Fits Round and Flat Materials with One 3/8-16 Tapped Hole

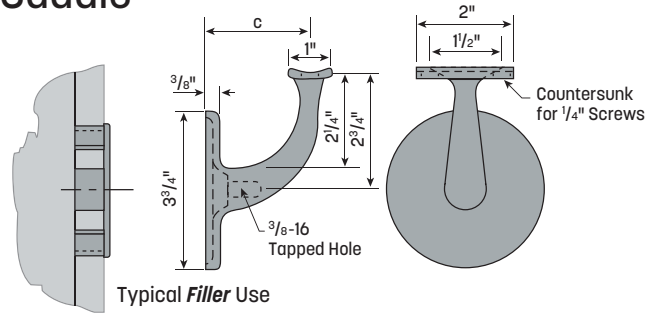
c	DUCTILE IRON	SATIN ALUMINUM	SATIN ANODIZED ALUMINUM	304 SATIN STAINLESS
2 1/2"	1701-2	1715-2	1715-2AN	1729-2
3"	1701	1715	1715AN	1729

Universal Saddle Fits Round and Flat Materials with Two 1/4" Holes

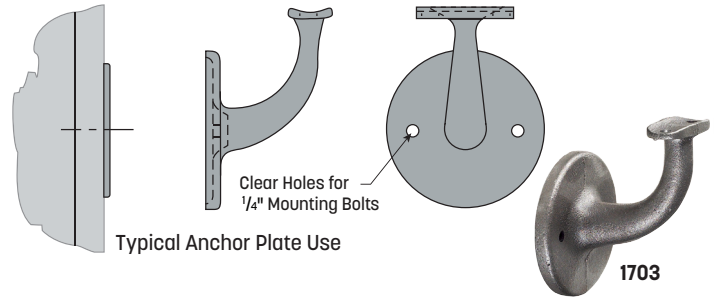
c	DUCTILE IRON	SATIN ALUMINUM	SATIN ANODIZED ALUMINUM	304 SATIN STAINLESS
2 1/2"	1703-2	1717-2	1717-2AN	1731-2
3"	1703	1717	1717AN	1731

Universal Saddle Fits Round and Flat Materials with Three 1/4" Holes

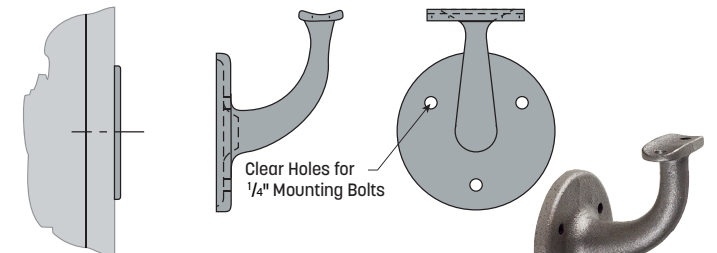
c	DUCTILE IRON	SATIN ALUMINUM	SATIN ANODIZED ALUMINUM	SATIN STAINLESS
2 1/2"	1705-2	1719-2	1719-2AN	1733-2
3"	1705	1719	1719AN	1733



Typical *Filler* Use



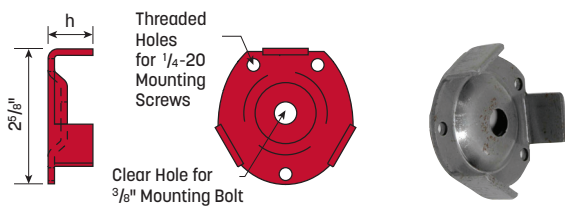
Typical Anchor Plate Use



Bracket Wall Filler

These optional *Fillers* prevent over tightening of matching *Handrail Brackets* which may result in cracking the plaster or drywall.

Use plated Steel *Fillers* with Aluminum and Bronze *Brackets* - call for availability or email rfq@mailwagner.com.



Style B Filler

Available with one clear center hole for 3/8" *Mounting Bolt* or three tapped clear holes for 1/4" *Mounting Bolts*. These *Fillers* are used with *Style D Cast Handrail Brackets*.

1/4-20 x 1/2" *Round Head Screws* included.

h	STEEL
5/8"	4579
7/8"	4579B

Anchor Plate

For use with *Style U Brackets* only. Six tapped holes and 7/16" center hole with 1/4" *Round Head Bolts*.

Center Hole	STEEL
7/16"	B1416

Filler

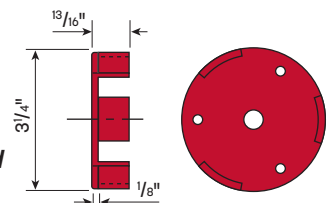
For use with one hole or three hole *Style U Brackets* only.

1721 Filler has one 7/16" diameter center hole, and three untapped holes. For use with 5/8" drywall.

1722 Filler has one 7/16" diameter center hole, and three tapped holes with matching 1/4" x 3/8" *Round Head Screws*. For use with 5/8" drywall.

Use *Filler* to prevent over tightening of matching *Handrail Bracket* which may result in cracking the drywall.

Center Hole	STEEL	For Use In
7/16"	1721	Plaster
7/16"	1722	Drywall



STANDARD PRODUCTS

RAILING SYSTEMS

TRADITIONAL RAILINGS

CUSTOM SERVICES

APPENDIX