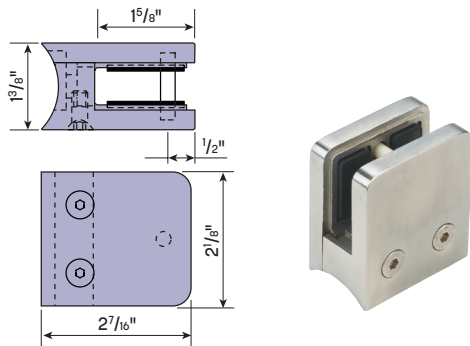


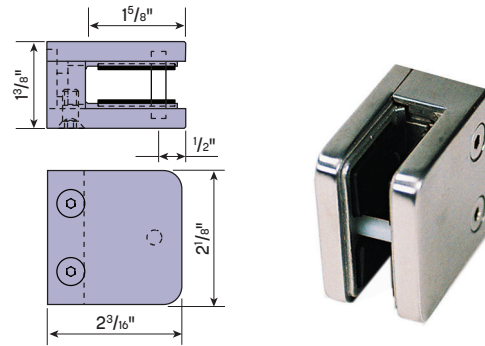
Glass Panel Mounting Clips



Glass Clip Type 304 Stainless Steel

Gaskets supplied to permit use with 3/8" or 1/2" glass or panel.
Mounting Screw - M8 x 1.25" - included.

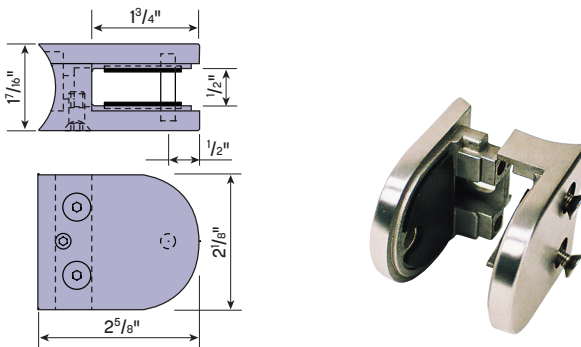
Use With	SATIN STAINLESS	POLISHED STAINLESS
1.9" or 2" OD	GR320R.4	GR320R.7



Glass Clip Type 304 Stainless Steel

Gaskets supplied to permit use with 3/8" or 1/2" glass or panel.
Mounting Screw - M8 x 1.25" - included.

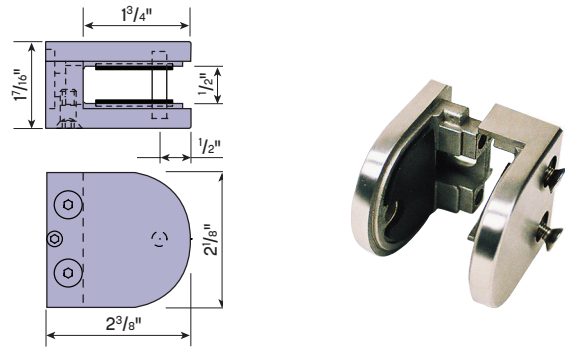
Use With:	SATIN STAINLESS	POLISHED STAINLESS
Blade	GR320F.4	GR320F.7



Glass Clip Type 304 Stainless Steel

For 1/2" - 5/8" glass or panel. Mounting hardware not included.

Use With	SATIN STAINLESS	POLISHED STAINLESS
1.9" or 2" OD	152813R-2	162813R-2



Glass Clip Type 304 Stainless Steel

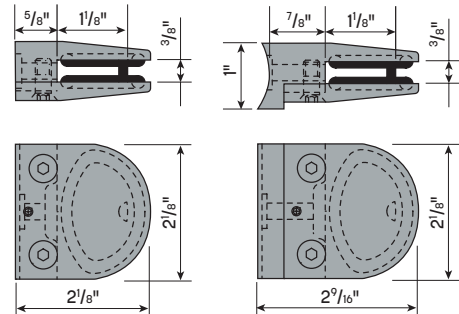
For 1/2" glass or panel. Mounting hardware not included.

Use With:	SATIN STAINLESS	POLISHED STAINLESS
Blade	152813R-F	162813R-F

GlassGrip™ Type 304 Stainless Steel

GlassGrip is perfect for all **Guardrail** applications requiring a 1/4" or 3/8" **Infill Panel**. The **GlassGrip** tightening system utilizes solid rubber **O-Rings** that hold the glass panels as they securely grip and prevent sliding. The optional support pin fits through a pre-drilled hole in the glass for added support. Mounting hardware is not included.

Stainless Steel **GlassGrips** may be used with 1/4" or 3/8" glass using the **Screws** that are provided.



Use With:	SATIN STAINLESS	POLISHED STAINLESS
1.90" or 2.00" OD	152816-2	162816-2
Flat	152816-F	162816-F

NUMBERS IN BOLD TYPE are typically in stock. Other items may not be available for immediate shipment or are made-to-order - requiring a minimum quantity and a longer lead time. Visit shop.wagnercompanies.com for availability.