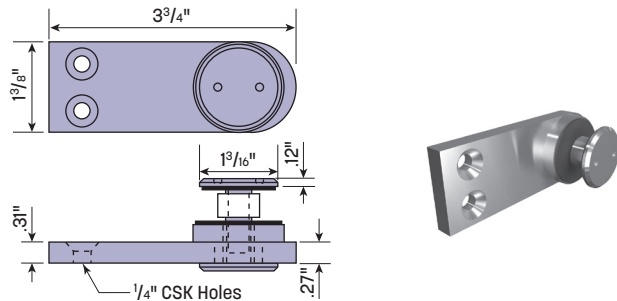


Double Flat Arm Type 316 Stainless Steel

Adapter not included. Select based on your post style from styles noted below. Mounting Screws are by others.

Use With:	SATIN STAINLESS
1.90" or 2" OD	LXFP30-2

To tighten stand off use LXSPA2.



Single Flat Arm Type 316 Stainless Steel

Adapter not included. Select based on your post style from styles noted below. Mounting screws are by others.

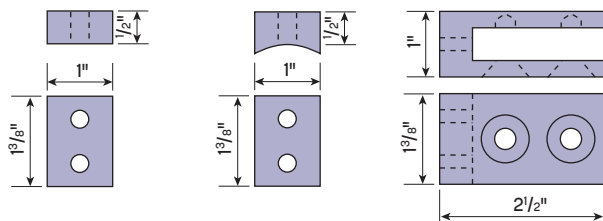
Use With:	SATIN STAINLESS
1.90" or 2" OD	LXFP30-1

Adapter for Single or Double Flat Arm

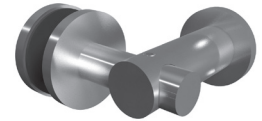
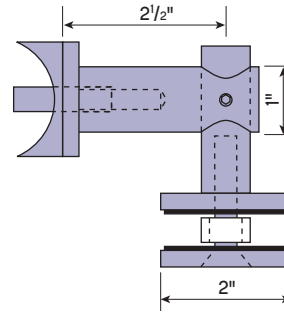
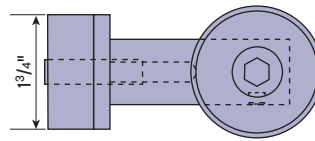
Type 316 Stainless Steel

Select to go with your choice of **Single or Double Flat Arm Glass Clip** and your post style.

Mounting Screws are not included.



SATIN STAINLESS USE WITH SQUARE POSTS LXFP30-FLAT	SATIN STAINLESS USE WITH 1.90" OD POST LXFP30-1.90	SATIN STAINLESS USE WITH 1/2" X 2" FLAT LXFP30-BLADE
---	--	--



Spider Type 316 Stainless Steel

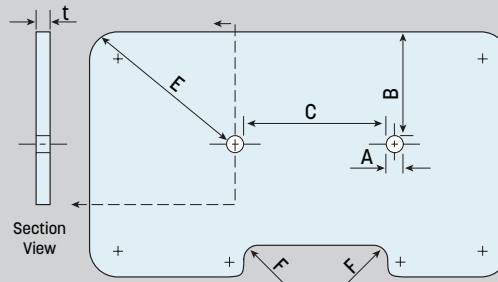
Adapter is included - discard for use with Flat or Square Posts.

Use With:	SATIN STAINLESS
Flat or 1.90" or 2" OD	LXTB51-1

Hole Specifications for Glass

Per *ASTM C 1048*, this chart should be used to determine minimum hole sizes and placement for tempered and heat strengthened glass.

(t) Glass thickness (constant)	1/4"	3/8"	1/2"
(A) Minimum diameter of holes	5/16"	7/16"	9/16"
(B) Edge of hole to edge of glass	3/8"	9/16"	3/4"
(C) Distance between rims of holes	1 5/8"	2 7/16"	3 1/4"
(E) Distance from corner to rim of holes	1 5/8"	2 7/16"	3 1/4"
(F) Minimum fillet radius	1/4"	3/8"	1/2"



t = thickness
A = t
B = 2t
C = 2t
E = 6.5t
F = t



STANDARD PRODUCTS

RAILING SYSTEMS

TRADITIONAL RAILING

CUSTOM SERVICES

APPENDIX