

Style D Cast Handrail Bracket

These **Brackets** have been newly designed to meet the requirements for a vertical clearance between the underside of the **Handrail** and the **Bracket** arm of 1 1/2".

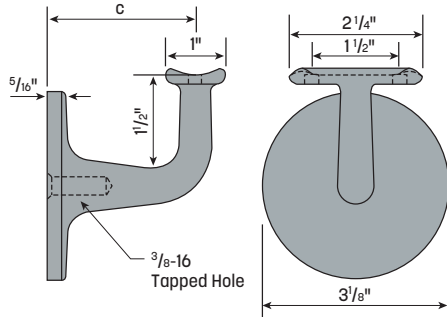


DUCTILE IRON
STAINLESS STEEL
ALUMINUM
BRONZE
BRASS

ASTM A 47
Type 304, ASTM A 351
Alloy B535.2 ASTM B 26
C86500
Yellow Brass, C27000

Finish:

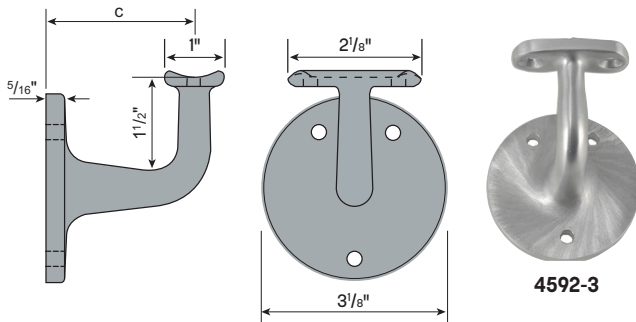
- Ductile and Malleable Iron **Brackets** are unfinished.
- Aluminum, Bronze and Stainless Steel **Brackets** are supplied with a satin finish.
- Satin clear anodized finish is AA M32 C22 A21.
- Bright polished, anodized, plated and galvanized finishes are available on special order.



Universal Saddle Fits Round and Flat Materials with One 3/8-16 Tapped Hole

Saddle Holes Are Clear For 1/4" Screws.

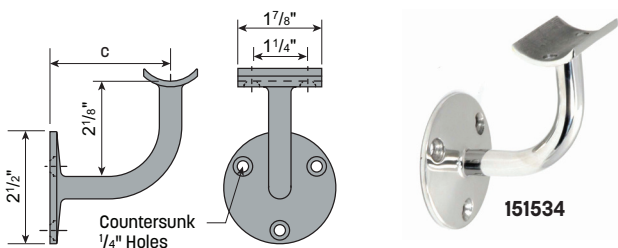
| c | DUCTILE IRON | SATIN ALUMINUM | SATIN ANODIZED ALUMINUM | SATIN BRONZE |
|--------|--------------|----------------|-------------------------|--------------|
| 2 1/2" | 4591 | 4592 | 4592AN | 4596 |
| 3 1/4" | 4581 | 4582 | 4582AN | 4586 |



Universal Saddle Fits Round and Flat Materials with Three Holes Clear for 1/4" Screws

Saddle Holes Are Clear For 1/4" Screws.

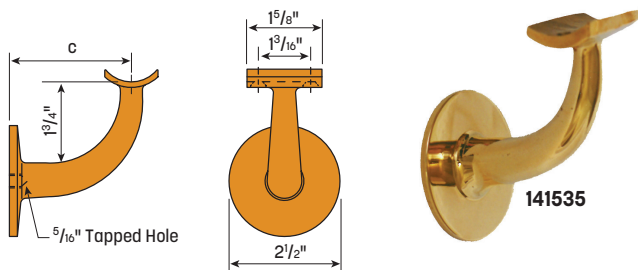
| c | DUCTILE IRON | SATIN ALUMINUM | SATIN ANODIZED ALUMINUM | SATIN BRONZE |
|--------|---------------|----------------|-------------------------|---------------|
| 2 1/2" | 4591-3 | 4592-3 | 4592AN-3 | 4596-3 |
| 3 1/4" | 4581-3 | 4582-3 | 4582AN-3 | 4586-3 |



Cast Wall Mounting Bracket for Tube

Saddle fits 1.50" or 2.00" OD Stainless and Brass Tube.

| Tube OD | c | 304 SATIN STAINLESS | 304 POLISHED STAINLESS | POLISHED BRASS |
|---------|--------|---------------------|------------------------|----------------|
| 1.50" | 2 1/2" | 151534.4 | 151534 | |
| 1.50" | 2 5/8" | | | 141534 |
| 2.00" | 2 3/4" | 152034.4 | 152034 | |
| 2.00" | 2 5/8" | | | 142034 |



Cast Wall Mounting Bracket for Tube

Saddle fits 1.50" or 2.00" OD **Brass Tube**.

Supplied with a polished finish. 5/16" **Hanger Bolt** is included.

| Tube OD | c | POLISHED BRASS |
|---------|--------|----------------|
| 1.50" | 2 1/2" | 141535 |
| 2.00" | 2 3/4" | 142035 |

Note: Porosity is a normal attribute of cast products. Every effort is made to minimize the appearance of porosity, but minor pitting can not be avoided and is to be expected.

NUMBERS IN BOLD TYPE are typically in stock. Other items may not be available for immediate shipment or are made-to-order - requiring a minimum quantity and a longer lead time. Visit shop.wagnercompanies.com for availability.