

Standard Base Shoe Moulding

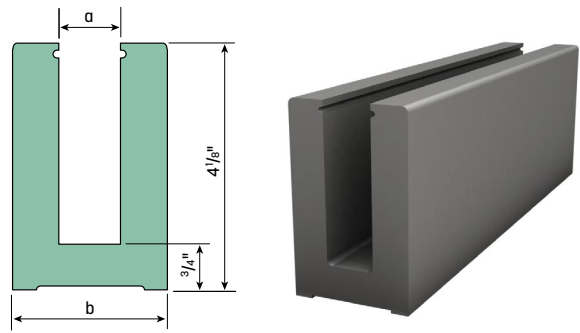
Aluminum, 6063-T52 Alloy; 10' and 20' Lengths.

For mounting **Glass Railing Systems** for **Standard Wet Glaze**. Portland Cement is not to be used with laminated glass.

Produced from extruded Aluminum, they may be anodized, painted or clad to match the **Top Rail** or area decor.

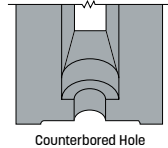
Base Shoe Moulding may be surface mounted, fascia mounted or embedded in concrete. The **Shoe** is the key to the structural integrity of any **Glass Railing System**. Proper attachment is extremely important - refer to page 113.

a	b	Glass	lb/ft	Length	WITHOUT HOLES	COUNTERBORED HOLES
1"	2 1/2"	1/2"	8.17	20'	GR2852	GR2852HCB
1"	2 1/2"	1/2"	8.17	10'	GR2852-10	GR2852HCB-10
1 1/4"	2 3/4"	3/4"	8.38	20'	GR2876	GR2876HCB
1 1/4"	2 3/4"	3/4"	8.38	10'	GR2876-10	GR2876HCB-10



Length Tolerances: +/- 1/4"

Section Through Attachment Hole
1/4" Minimum Lip



Expansion Cement

Follow package instructions.

Rockite®

Use only in water proof conditions. Gypsum-based

Description	Part Number
50 lb. Pail	RK10051
10 lb. Box	RK10010



RK10010

Disposable Grout Bag

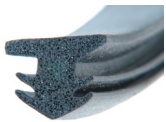
Made of heavy duty plastic, disposable **Grout Bags** eliminate the need for cleaning. Bags are 21" long. Tips can be cut to the desired opening.



Description	Part Number
50/box	GBG14219

Description	Part Number
50/box	GBG14219

Note: To avoid corrosion, Aluminum should be kept from directly contacting Steel or Portland-based Cement and Grout by painting with a heavy coat of bituminous paint or an appropriate primer. For exterior applications, provide weep holes as needed.



Top Gasket for Shoe

1/2" Wide x 7/16" High.
EPDM - 50-60 Durometer.

Gasket 25'	GR9398-25
Gasket 50'	GR9398-50
Gasket 100'	GR9398-100
Gasket 500'	GR9398



GR5NSB

Spacing and Sealing Pads

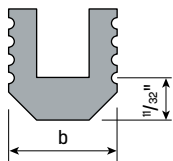
These die cut foam pads with adhesive on one side act as spacers.

1/4" Thick, 3 7/16" High, High Density Foam.

1/2" Glass	GR5NSB
3/4" Glass	GR7NSB
Spacer Block Tool	RSBIT

Setting Blocks for Wet Glaze

EPDM, 90 Durometer.



Glass	b	Length	Unit	
1/2"	1"	25'	Spool	GR9392
1/2"	1"	4"	10/Package	GR9392PK
3/4"	1 1/4"	25'	Spool	GR9393
3/4"	1 1/4"	4"	10/Package	GR9393PK

Silicone

Neutral cure, waterproof formula. Used to adhere **Cladding** to **Shoe Moulding, Top Rail** to glass and seal over **Backer Rod**.

Black, 10 Fluid Ounces	GR95CBL
------------------------	-------------------------



GR5ASB



RSBIT

Spacer Blocks and Tool

1/4" x 3 5/16", Rigid Rubber with Adhesive. Required on stair or ramp installations to prevent the glass from sliding down. Trim height as required.

1/2" Glass	GR5ASB
3/4" Glass	GR7ASB
Spacer Block Tool	RSBIT

NUMBERS IN BOLD TYPE are typically in stock. Other items may not be available for immediate shipment or are made-to-order - requiring a minimum quantity and a longer lead time. Visit shopwagner.com for availability.