

Traditional Wall Mount Cast Bracket ADA and Code Compliant

DUCTILE IRON

STAINLESS STEEL Type 304, ASTM A 351

ALUMINUM Alloy B585.2 ASTM B 26

BRONZE C86500

Finish:

- Ductile Iron **Brackets** are unfinished.
- Aluminum, Bronze and Stainless Steel **Brackets** are supplied with a satin finish.
- Aluminum satin clear anodized finish is AA-M32-C22-A31.
- A bright polished finish is available on special order.

Round Saddle with One Mounting Hole

a	b	c	DUCTILE IRON	SATIN ALUMINUM	ANODIZED ALUMINUM	SATIN STAINLESS	SATIN BRONZE
1 1/2"	2 15/16"	2 1/2"	1766	1805	1805AN	1815	1813
1 1/2"	2 15/16"	3 1/4"	1771	1806	1806AN	1816	1814

Flat Saddle* with One Mounting Hole

a	b	c	SATIN ALUMINUM	ANODIZED ALUMINUM	SATIN STAINLESS	SATIN BRONZE
1 1/2"	2 15/16"	2 1/2"	1805F	1805FAN	1815F	1813F
1 1/2"	2 15/16"	3 1/4"	1806F	1806FAN	1816F	1814F

Round Saddle with Two Mounting Holes

a	b	c	DUCTILE IRON	SATIN ALUMINUM	ANODIZED ALUMINUM	SATIN STAINLESS
1 1/2"	2 15/16"	2 1/2"	1766-2	1805-2	1805-2AN	1815-2
1 1/2"	2 15/16"	3 1/4"	1771-2	1806-2	1806-2AN	1816-2

Flat Saddle* with Two Mounting Holes

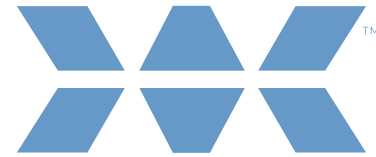
a	b	c	SATIN ALUMINUM	SATIN STAINLESS
1 1/2"	2 15/16"	2 1/2"	1805F-2	1815F-2
1 1/2"	2 15/16"	3 1/4"	1806F-2	1816F-2

Round Saddle with Three Mounting Holes

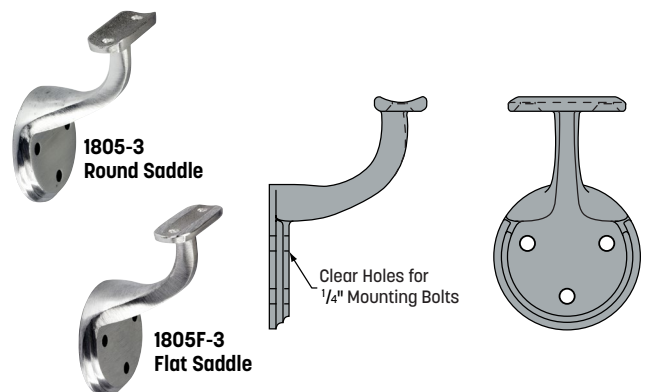
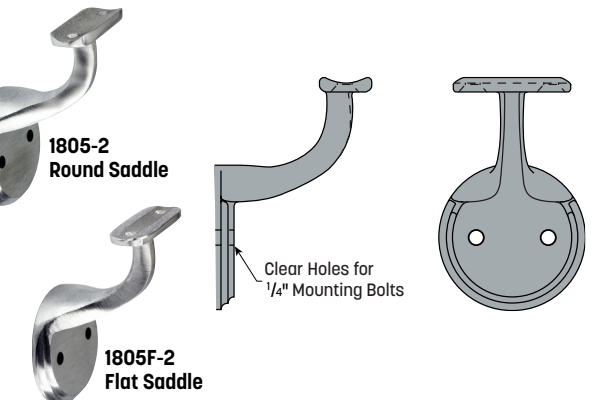
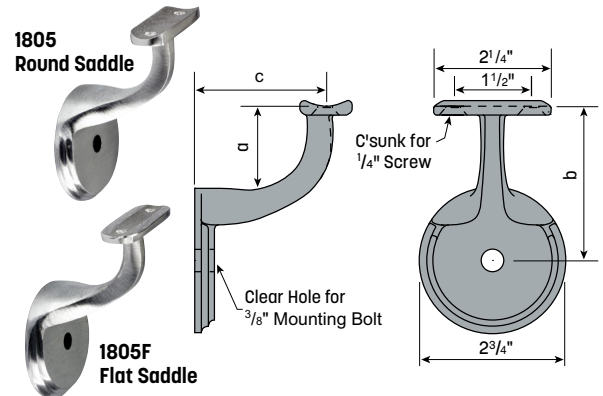
a	b	c	DUCTILE IRON	SATIN ALUMINUM	ANODIZED ALUMINUM	SATIN STAINLESS
1 1/2"	2 15/16"	2 1/2"	1766-3	1805-3	1805-3AN	1815-3
1 1/2"	2 15/16"	3 1/4"	1771-3	1806-3	1806-3AN	1816-3

Flat Saddle* with Three Mounting Holes

a	b	c	SATIN ALUMINUM	SATIN STAINLESS
1 1/2"	2 15/16"	2 1/2"	1805F-3	1815F-3
1 1/2"	2 15/16"	3 1/4"	1806F-3	1816F-3



WAGNER™



STANDARD PRODUCTS

RAILING SYSTEMS

TRADITIONAL RAILING

CUSTOM SERVICES

APPENDIX

* Aluminum, Bronze, and Stainless Steel **Flat Saddle Brackets** are produced by grinding **Round Saddle Bracket** of matching dimensions.

Note: Porosity is a normal attribute of cast products. Every effort is made to minimize the appearance of porosity. However, minor pitting cannot be avoided and is to be expected.

Not all products will meet all code requirements. Always confirm your local requirements, product dimensions and structural data prior to specifying.