

# PanelGRIP® Glass Railing System

The **Wagner PanelGrip System** utilizes a unique locking mechanism of high-strength Aluminum and PVC **Isolators** combined with a specially designed Aluminum **Base Shoe Moulding**.

When assembled with tempered or laminated tempered glass of the appropriate size, **PanelGrip** enables the installer to fabricate a structural **Glass Railing System** with significant reductions in labor and freight costs over standard wet glaze options.

*The PanelGrip System has been tested per ASTM E985, Standard Specification for Permanent Metal Railing Systems and Rails. Florida Building Code (2014) TAS202 and TAS201, Section 1618.4.6.1 and California Building Code (2013) section 1607.8.1, 1607.8.1.1 and 1607.8.1.2.*

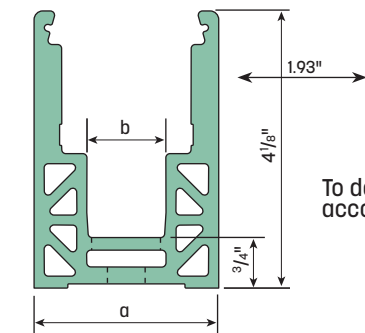
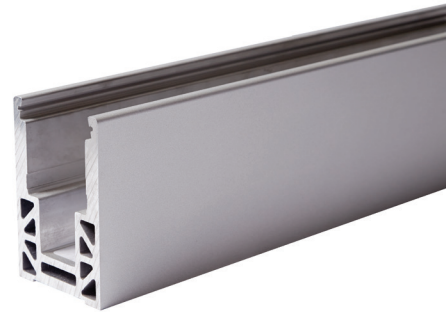
## PanelGrip Base Shoe Moulding

Aluminum, 6005-T5; 10' and 20' Lengths

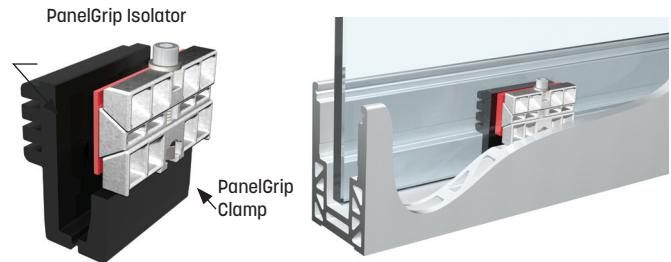
Lighter yet **Stronger**

Produced from extruded Aluminum, that may be painted or clad to match the **Top Rail** or area decor. The shoe is the key to the structural integrity of any **Glass Railing System**. Proper attachment is extremely important.

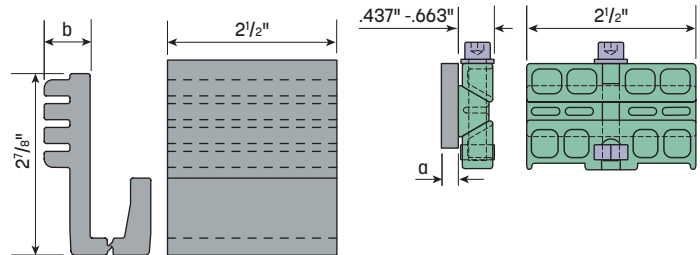
*Subject to one or more of the following patents: US7730682, US8181405, NZ581456, CA2697162, EP2171180 and AU2008282693.*



To determine total height, add 1" to account for shoe moulding



	a	b	lb/ft	Glass Type
<b>GR2457HCB</b>	2.75"	1.187"	4.88	20'-0"
<b>GR2457HCB-10</b>	2.75"	1.187"	4.88	10'-0"
<b>GR2460HCB</b>	2.50"	0.930"	4.76	20'-0"
<b>GR2460HCB-10</b>	2.50"	0.930"	4.76	10'-0"



PANELGRIP PACKAGE OF 10	Glass Thickness Range	Isolator Color	Pad Color	a	b	Glass Thickness
<b>Narrow 2.50" x 4.125" base shoe - GR2460HCB Only</b>						
<b>PG2460</b>	.496"-.550"	Brown	White	.035"	.562"	9/16" Laminated
<b>Standard 2.75" x 4.125" base shoe - GR2457 &amp; GR2475HCB Only</b>						
<b>PG2472</b>	.496"-.550"	Black	White	.250"	.672"	9/16" Laminated
<b>PG2415</b>	.569"-.638"	Dark Grey	Black	.250"	.630"	15mm Laminated
<b>PG2417</b>	.624"-.726"	Light Grey	White	.125"	.593"	17.52mm Laminated
<b>PG2475</b>	.719"-.781"	White	White	.125"	.544"	3/4" Laminated
<b>PG2421</b>	.768"-.874"	Cream	Red	.035"	.521"	21.52mm Laminated

\* Due to glass dimensional tolerances, you must confirm that your selected **PanelGrip** fits properly prior to final installation.

**NUMBERS IN BOLD TYPE** are typically in stock. Other items may not be available for immediate shipment or are made-to-order - requiring a minimum quantity and a longer lead time. Visit [shop.wagnercompanies.com](http://shop.wagnercompanies.com) for availability.