

REV

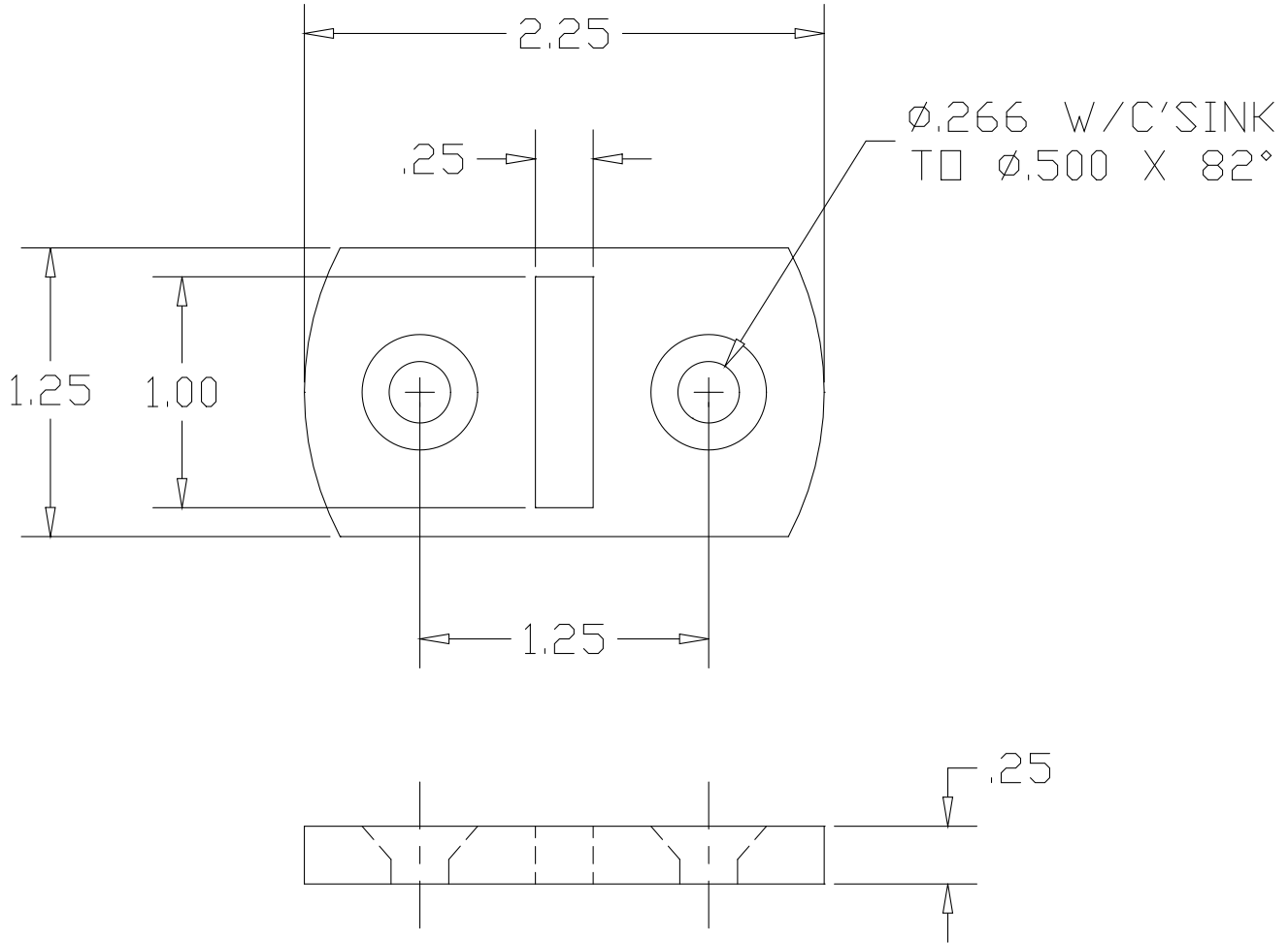
SH


CRFLPCBS.4

DWG NO

REVISIONS

REV	DESCRIPTION	DATE	APPROVED
-----	-------------	------	----------



PART NAME		CABLE BRACE FLOOR PLATE	
MATERIAL		.250 STAINLESS STEEL	
DATE	01/16/07		THE WAGNER COMPANIES R & B WAGNER, INC. AND J. G. BRAUN CO.
DRAWN BY	RJF		
FINISH	#4 SATIN	SIZE	A
		WEIGHT	
		PART NUMBER	CRFLPCBS.4
		REV	