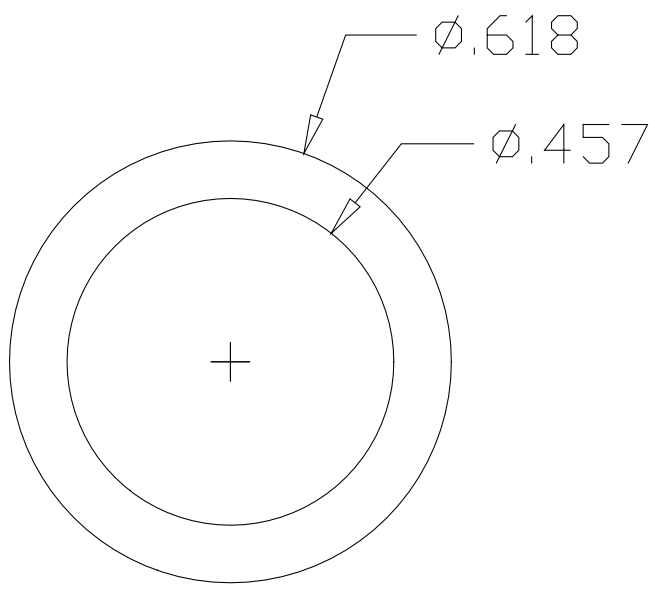
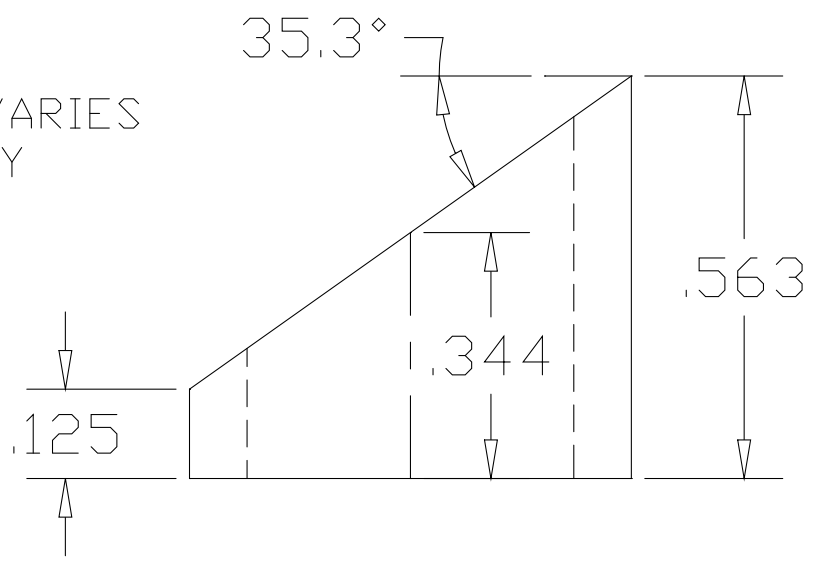



REV
SH
DWG NO CRBW356

REVISIONS			
REV	DESCRIPTION	DATE	APPROVED



ANGLE VARIES
REF ONLY



PART NAME WASHER BEVELED SS .125/.188 CABLE 34-36 DEG BEVEL			
MATERIAL STAINLESS STEEL 316			
DATE 7/28/06	 THE WAGNER COMPANIES R & B WAGNER, INC. AND J. G. BRAUN CO.		
DRAWN BY DGP		SIZE A	WEIGHT
FINISH MILL			REV