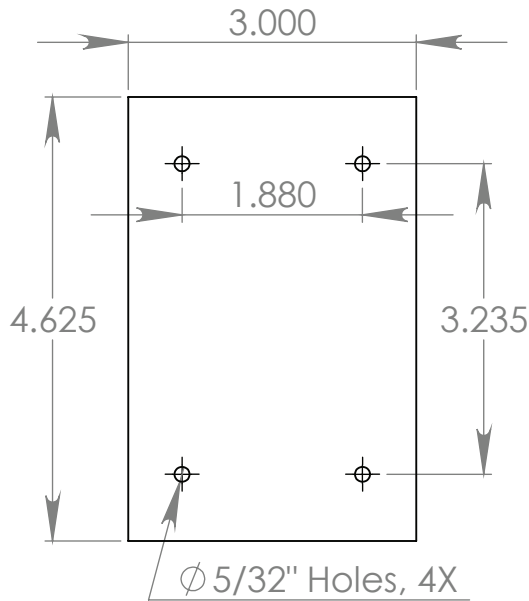


ENDURALL™

Single Gang Cover



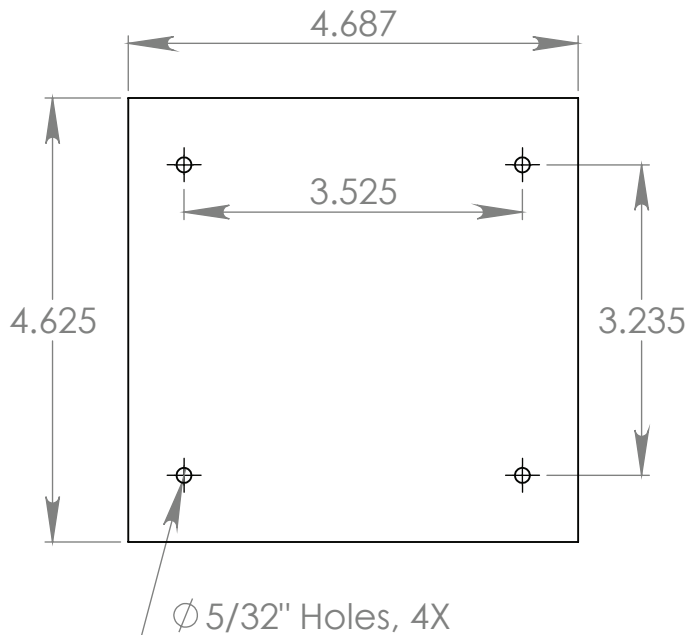
Model: C1P-6

16ga 316 Stainless Steel

Secure All Covers with
8-32 x 1/2" Slotted Screws
with Plastic Sealing Washers

Gasket Material:
1/8" Neoprene/EPDM/SBR

Double Gang Cover




Model: C2P-6

16ga 316 Stainless Steel

Secure All Covers with
8-32 x 1/2" Slotted Screws
with Plastic Sealing Washers

Gasket Material:
1/8" Neoprene/EPDM/SBR

		DIMENSIONS ARE IN INCHES		NAME	DATE										
		TOLERANCES:		DRAWN	BEH 8/10/09										
		FRACTIONAL ±		CHECKED	BLM 8/10/09										
		ANGULAR: MACH ± BEND ±		ENG APPR.											
		TWO PLACE DECIMAL ±.010		MFG APPR.											
		THREE PLACE DECIMAL ±.010		Q.A.											
		MATERIAL		COMMENTS:		<table border="1"> <tr> <td>SIZE</td> <td>DWG. NO.</td> <td>REV.</td> </tr> <tr> <td>A</td> <td>Endurall Gang Covers</td> <td></td> </tr> <tr> <td>SCALE: 1:1</td> <td>WEIGHT:</td> <td>SHEET 1 OF 1</td> </tr> </table>	SIZE	DWG. NO.	REV.	A	Endurall Gang Covers		SCALE: 1:1	WEIGHT:	SHEET 1 OF 1
SIZE	DWG. NO.	REV.													
A	Endurall Gang Covers														
SCALE: 1:1	WEIGHT:	SHEET 1 OF 1													
NEXT ASSY	USED ON	16ga 316 SS													
APPLICATION		FINISH													
		DO NOT SCALE DRAWING													