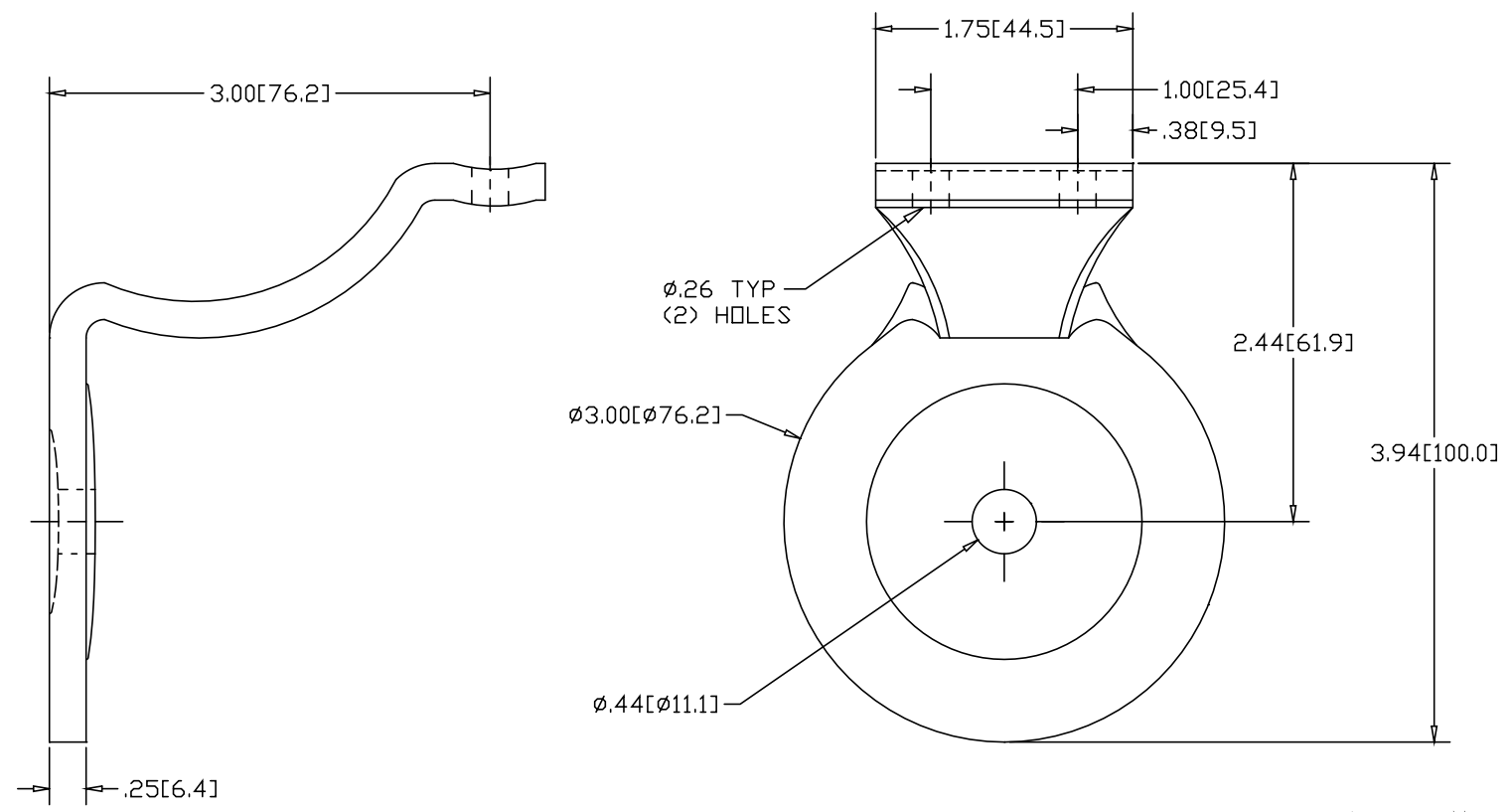


REVISIONS			
REV	DESCRIPTION	DATE	APPROVED



INCHES [MILLIMETERS]

ALTERNATE MATERIAL	PART NO.
.187 304 STAINLESS STEEL W/ #4 SATIN	1959R
.250 (260) BRASS W/ #4 SATIN	BRS1938R
.250 (280) MUNTZ METAL W/#4 SATIN	BZ1938R
.250 5052 ALUMINUM MILL FINISH	1939R

FOR CONCEALED SNAP COVER USE

STEEL	STAINLESS	BRASS
1960	1962	1963

BRONZE	ALUMINUM
1964	1961

FOR 5/8" DRYWALL USE FILLER
FOR 7/8" DRYWALL USE FILLER

STEEL	ALUMINUM
3525B	3527B
3525	3527

PART NAME		3" CL 1/4" HANDRAIL BRACKET		
MATERIAL		.250 HRP&D STEEL ASTM A-569		
DATE	11/9/98		THE WAGNER COMPANIES R & B WAGNER, INC. AND J. G. BRAUN CO.	
DRAWN BY	RJF			
FINISH	MILL	SIZE	WEIGHT	PART NUMBER
		A	.75 LBS	1938R
				REV