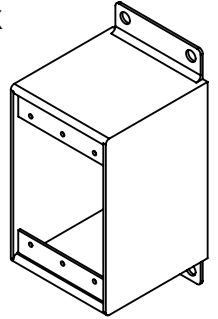


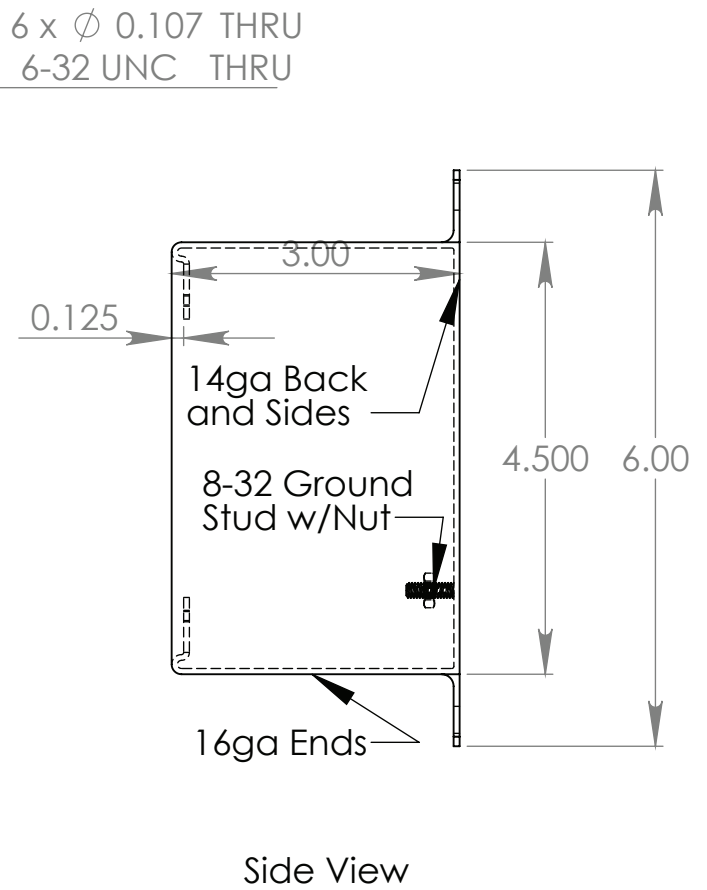
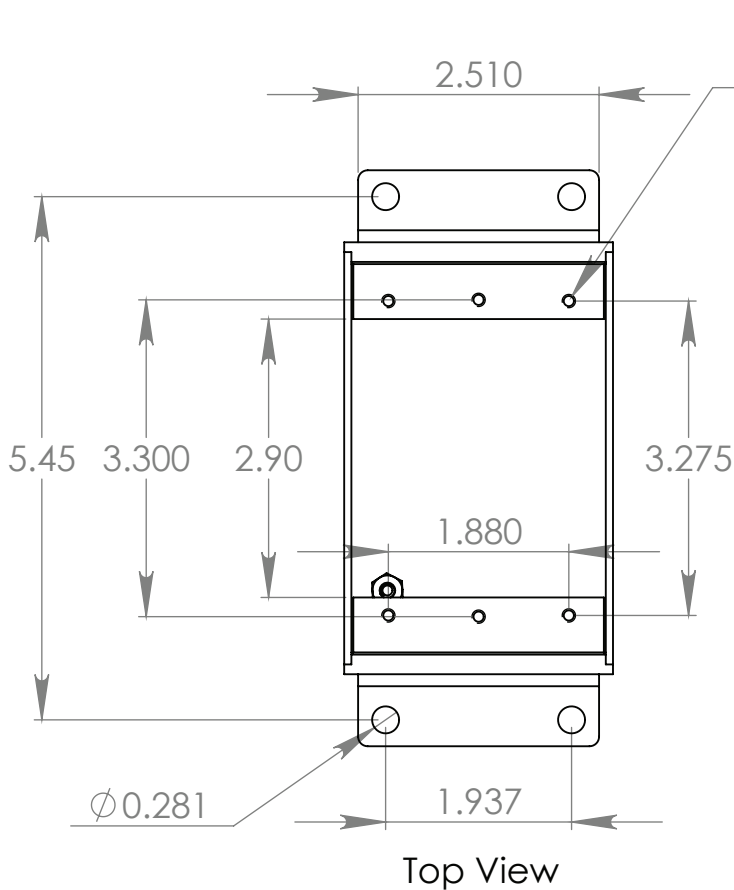
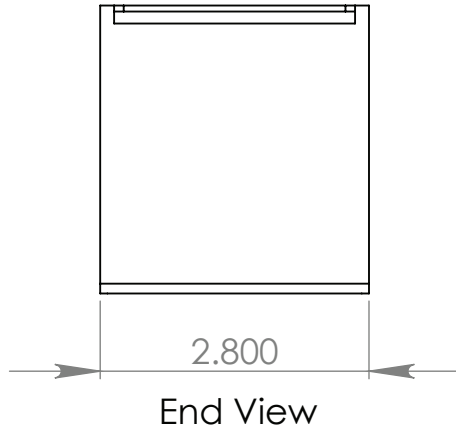
ENDURALL™

Single Gang Stainless Steel Junction and Device Box



Model Number:
BLM 1-04SS or
BLM 1-16SS

Volume: 30.1 cu.in.



U.S. Pat. No. 5,693,909
Canadian No. 2,207,796

		DIMENSIONS ARE IN INCHES		NAME		DATE	
		TOLERANCES:		DRAWN		8/10/09	
		ANGULAR $\pm .5$		CHECKED		BLM 8/10/09	
		FRACTIONAL $\pm .031$		ENG APPR.			
		TWO PLACE DECIMAL $\pm .030$		MFG APPR.			
		THREE PLACE DECIMAL $\pm .015$		Q.A.			
		MATERIAL		COMMENTS:			
		304 or 316 SS					
DIM. CHANGE		4/10/17					
REVISION		DO NOT SCALE DRAWING					
						SIZE DWG. NO. A Single Gang SS Device Box REV.	
				SCALE:1:2		WEIGHT: SHEET 1 OF 1	