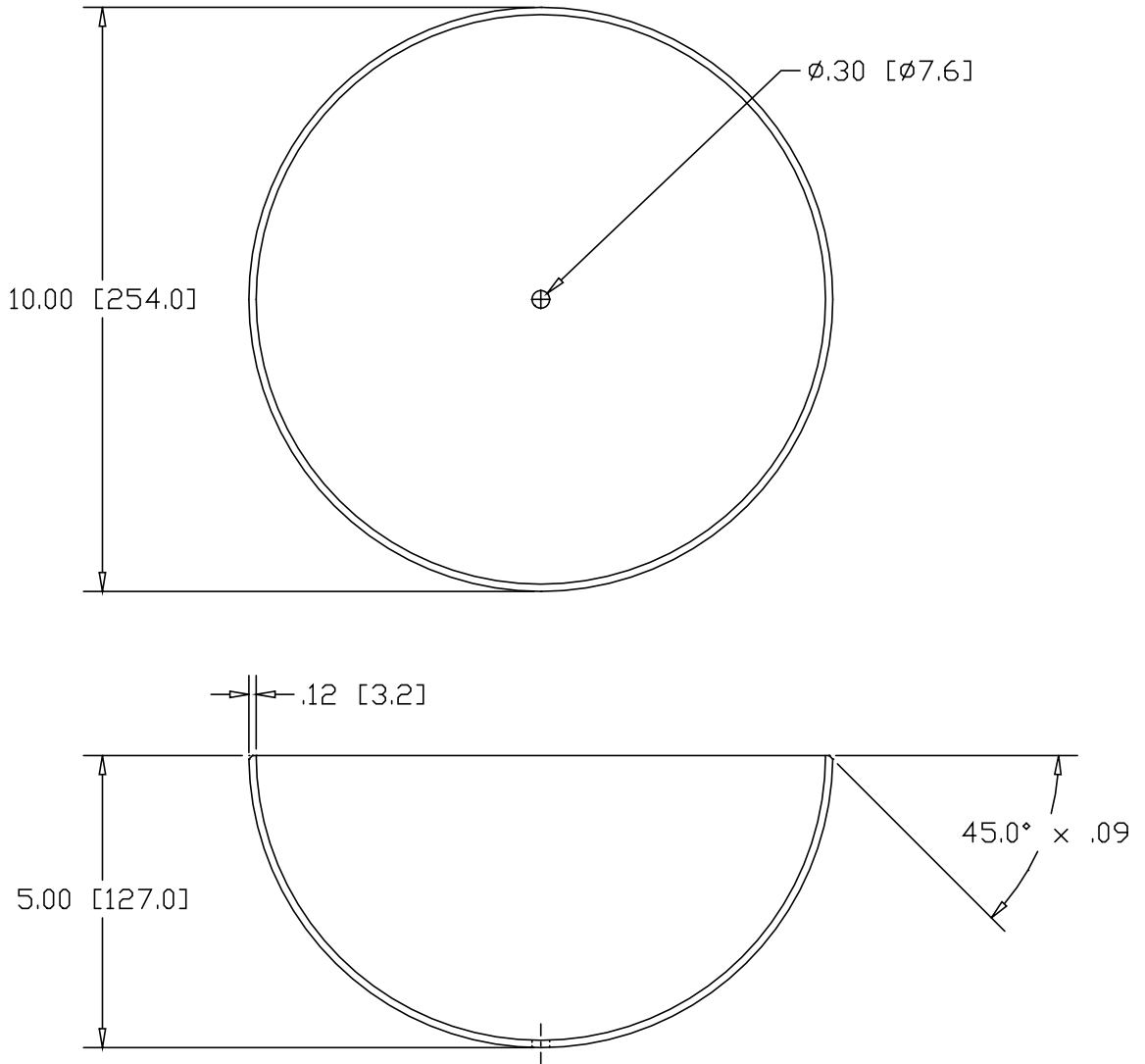


REV
SH
B4185
DWG NO

REVISIONS			
REV	DESCRIPTION	DATE	APPROVED
-	ADDED CHAMFER FOR WELDING	11/12/11	PWH



INCHES [MILLIMETERS]

ALTERNATE MATERIAL	PART NUMBER
.125 (3003) ALUMINUM SHEET ASTM B209	B4187
11 GA. (.1200) 304 STAINLESS STEEL A240	B4188
.125 (260) BRASS	B4189
.125 (655) SILICON BRONZE	BSB4185

PART NAME		10.00" HEMISPHERE	
MATERIAL		11 GA. (.1196) HRP&D STEEL SHEET ASTM A569	
DATE	1/4/00		THE WAGNER COMPANIES R & B WAGNER, INC. AND J. G. BRAUN CO.
DRAWN BY	RJF		
FINISH	MILL		
SIZE	WEIGHT	PART NUMBER	REV
A	5.00 LBS	B4185	