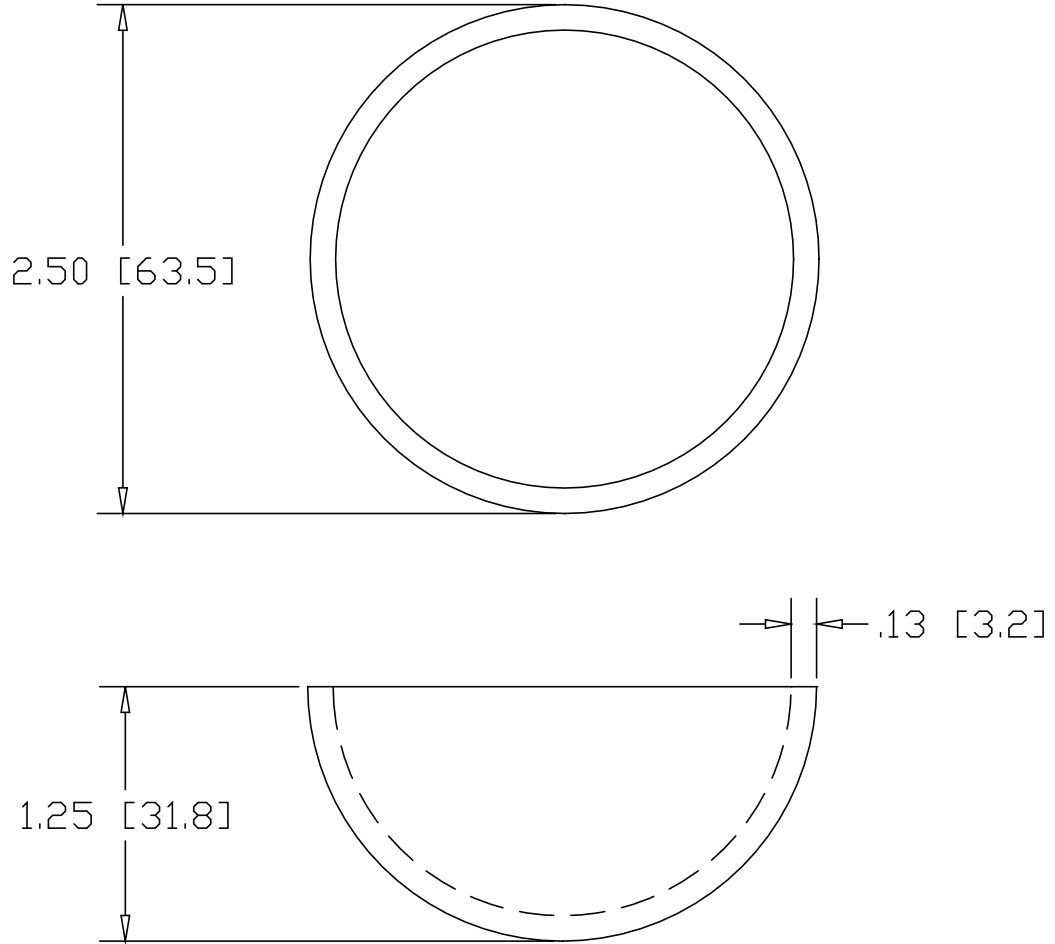



REV
SH
DWG NO B4120

| REVISIONS | | | |
|-----------|-------------|------|----------|
| REV | DESCRIPTION | DATE | APPROVED |



INCHES [MILLIMETERS]

| ALTERNATE MATERIAL | PART NUMBER |
|---|-------------|
| .125 (3003) ALUMINUM SHEET ASTM B209 | B4122 |
| 11 GA. (.1200) 304 STAINLESS STEEL A240 | B4124 |
| .125 (260) BRASS | B4126 |
| .125 (655) SILICON BRONZE | BSB4120 |

| | | | | |
|-----------|---------|---|-----|--|
| PART NAME | | 2.50" HEMISPHERE | | |
| MATERIAL | | 11 GA. (.1196) HRP&D STEEL SHEET ASTM A569 | | |
| DATE | 1/4/00 |  THE WAGNER COMPANIES R & B WAGNER, INC. AND J. G. BRAUN CO. | | |
| DRAWN BY | RJF | | | |
| FINISH | MILL | | | |
| SIZE | WEIGHT | PART NUMBER | REV | |
| A | .26 LBS | B4120 | | |