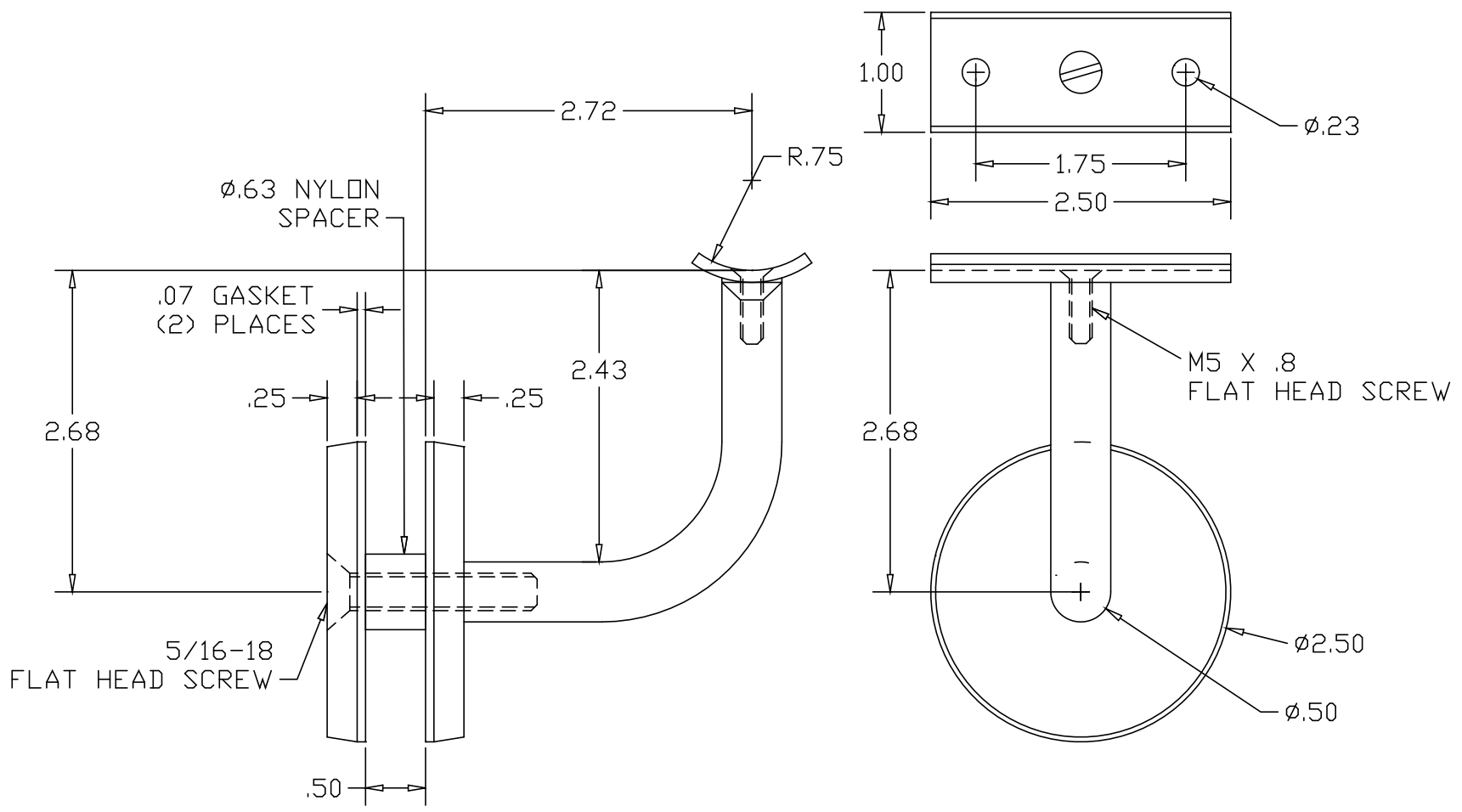


REVISIONS			
REV	DESCRIPTION	DATE	APPROVED
A	5/16-18 BOLT WAS M8 X 1.25	08/09/10	RJF



PART NAME		GLASS MOUNT HANDRAIL BRACKET FOR 1.50 OD					
MATERIAL		TYPE 304 STAINLESS STEEL					
DATE	9/20/02	<b>WAGNER</b>	<b>THE WAGNER COMPANIES</b> R & B WAGNER, INC. AND J. G. BRAUN CO.				
DRAWN BY	RJF						
FINISH	#8 MIRROR						
SIZE	A	WEIGHT	1.03 LBS	PART NUMBER	993	REV	A

