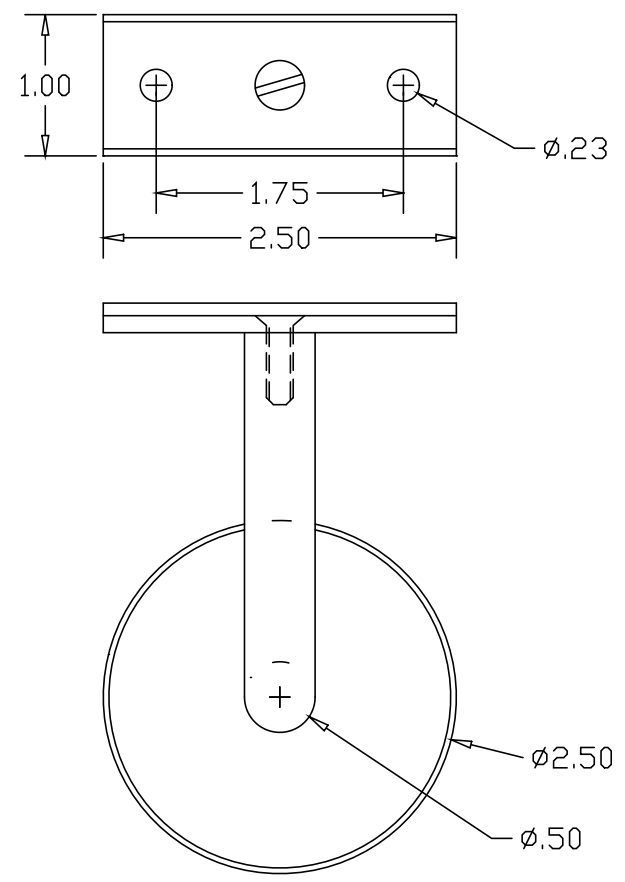
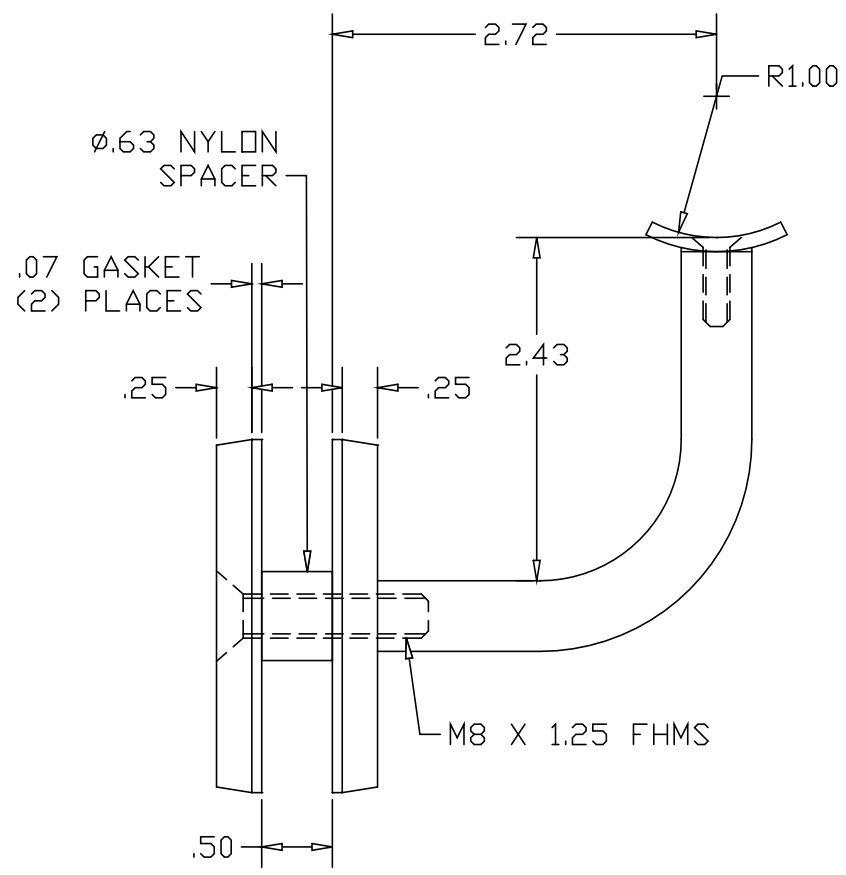



REVISIONS			
REV	DESCRIPTION	DATE	APPROVED



PART NAME		GLASS MOUNT HANDRAIL BRACKET FOR 2.00" OD		
MATERIAL		TYPE 304 STAINLESS STEEL		
DATE	9/20/02	 THE WAGNER COMPANIES R & B WAGNER, INC. AND J. G. BRAUN CO.		
DRAWN BY	RJF			
FINISH	#8 MIRROR	SIZE	WEIGHT	PART NUMBER
		A	1.03 LBS	993-2
				REV

