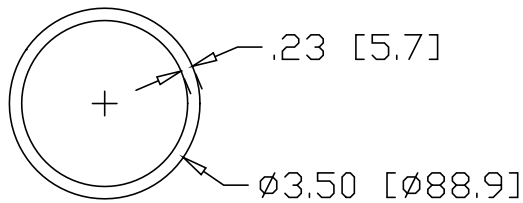
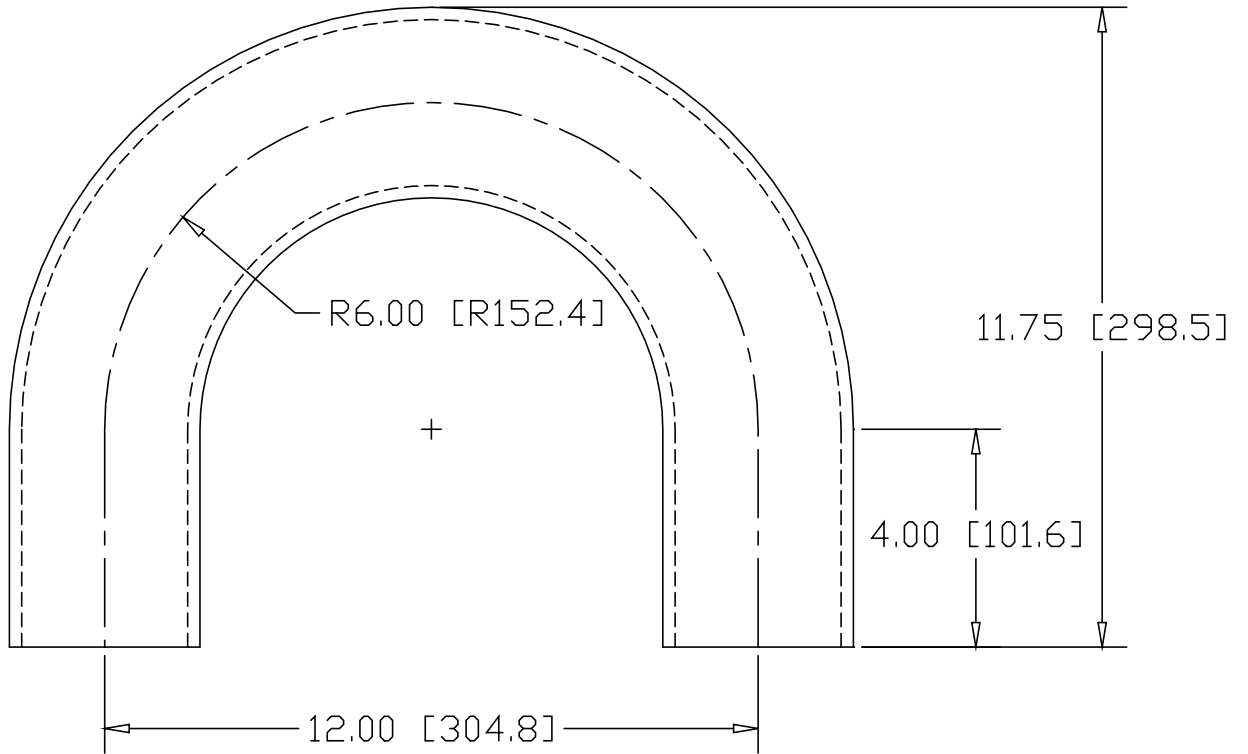



REV  
SH  
DWG NO 9632

REVISIONS			
REV	DESCRIPTION	DATE	APPROVED



INCHES MILLIMETERS

ALTERNATE MATERIAL	PART NUMBER
3" SCH 40 6063 ALUMINUM PIPE	9635
3" SCH 40 (304) STAINLESS STEEL PIPE	9637
3" SCH 40 (230) RED BRASS PIPE	9639

PART NAME		3" SCH 40 6" CLR 180° BEND W/(2) 4" TANGENTS					
MATERIAL		3" SCH 40 STEEL PIPE A53					
DATE	5/5/00	 <b>THE WAGNER COMPANIES</b> R & B WAGNER, INC. AND J. G. BRAUN CO.					
DRAWN BY	RJF						
FINISH	MILL						
SIZE	A	WEIGHT	16.96 LBS	PART NUMBER	9632	REV	