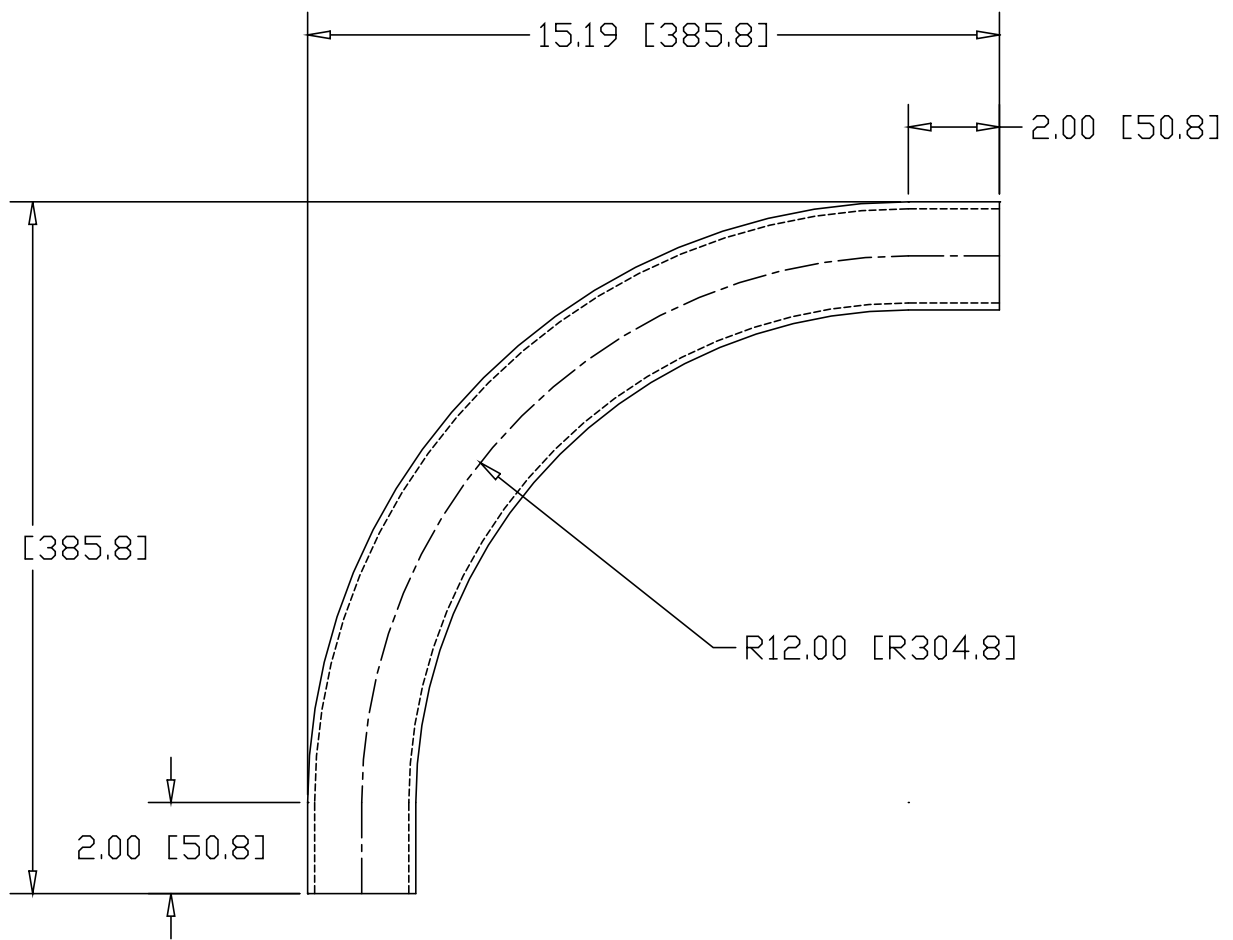


REV  
SH  
9358  
DWG NO

REVISIONS			
REV	DESCRIPTION	DATE	APPROVED



INCHES [MILLIMETERS]

ALTERNATE MATERIAL	PART NUMBER
2" SCH 40 (6063) ALUMINUM PIPE	9372
2" SCH 40 (304) STAINLESS STEEL PIPE	9386

PART NAME 2" PIPE SIZE 90° ELL X 10.81" I.R. W/ (2) 2" TANGENTS			
MATERIAL 2" SCH 40 A53 STEEL PIPE			
DATE 8/16/01			
DRAWN BY JAH			
FINISH MILL	SIZE A	WEIGHT 6.98 LBS	PART NUMBER 9358
			REV