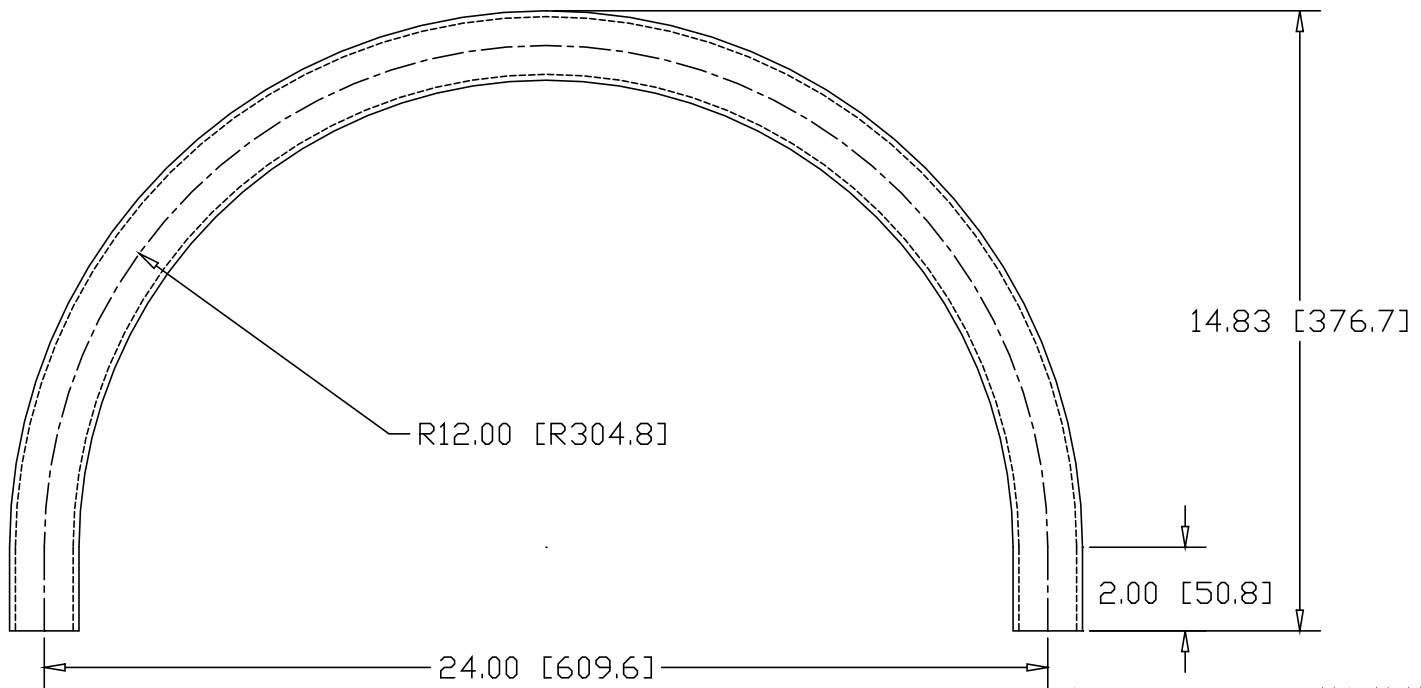


REV  
SH  
9263B  
DWG NO


REVISIONS			
REV	DESCRIPTION	DATE	APPROVED



NOTE: THESE ARE MINIMUM DIMENSIONS, ENDS ARE LEFT UNTRIMMED.

INCHES [MILLIMETERS]

ALTERNATE MATERIAL	PART NUMBER
1-1/4" SCH 40 (6063) ALUMINUM PIPE	9277B
1-1/4" SCH 40 (304) STAINLESS STEEL PIPE	9291B

PART NAME 1-1/4" PIPE SIZE 180° ELL X 11.17" I.R. W/ (2) 2" TANGENTS			
MATERIAL 1-1/4" SCH 40 A53 STEEL PIPE			
DATE 8/16/01		R & B WAGNER, INC.	
DRAWN BY JAH		PART NUMBER	9263B
FINISH MILL		SIZE A	WEIGHT 7.96 LBS