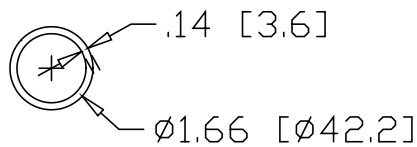
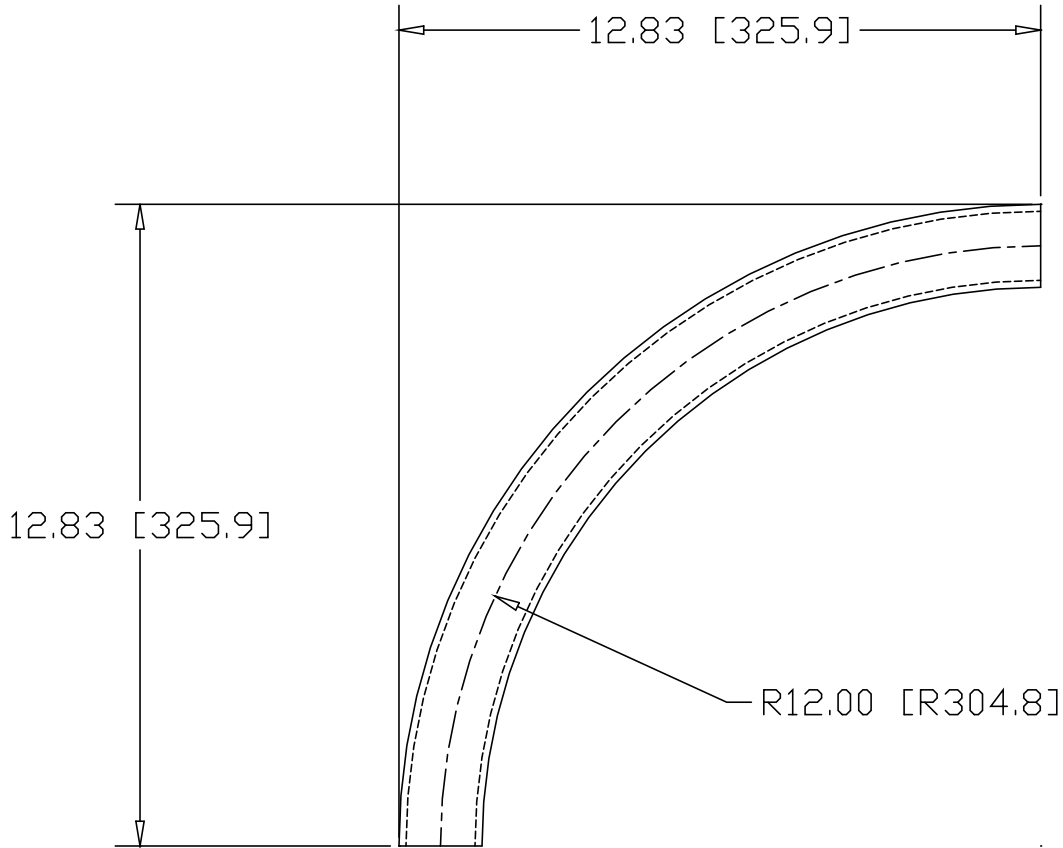



REV
SH
9256
DWG NO

REVISIONS			
REV	DESCRIPTION	DATE	APPROVED



INCHES [MILLIMETERS]

ALTERNATE MATERIAL	PART NUMBER
1-1/4" SCH 40 (6063) ALUMINUM PIPE	9270
1-1/4" SCH 40 (304) STAINLESS STEEL PIPE	9284

PART NAME		1-1/4" PIPE SIZE 90° ELL X 11.17" I.R.					
MATERIAL		1-1/4" SCH 40 A53 STEEL PIPE					
DATE	8/16/01	 R & B WAGNER, INC.					
DRAWN BY	JAH						
FINISH	MILL						
SIZE	A	WEIGHT	3.60 LBS	PART NUMBER	9256	REV	