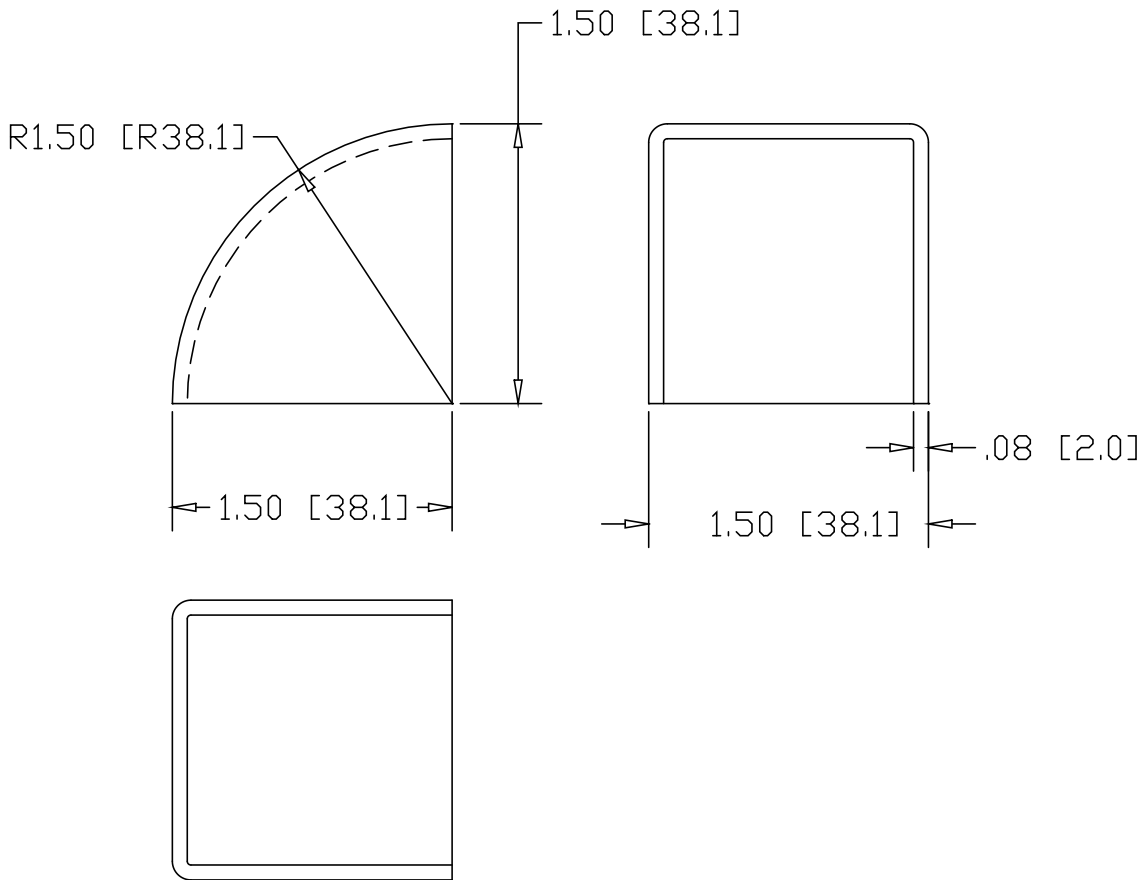



REV  
SH  
9220  
DWG NO

REVISIONS			
REV	DESCRIPTION	DATE	APPROVED



INCHES [MILLIMETERS]

ALTERNATE MATERIAL	PART NUMBER
.080 (3003) ALUMINUM ASTM B209	9221
14 GA. (304) STAINLESS STEEL	9222
.083 (260) BRASS	9223

PART NAME		1-1/2" SQUARE TUBE CORNER	
MATERIAL		14 GA. HRP&O STEEL ASTM A569	
DATE	8/26/96	 <b>THE WAGNER COMPANIES</b> R & B WAGNER, INC. AND J. G. BRAUN CO.	
DRAWN BY	RJF		
FINISH	MILL		
SIZE	A	WEIGHT	.13 LBS
		PART NUMBER	9220
		REV	