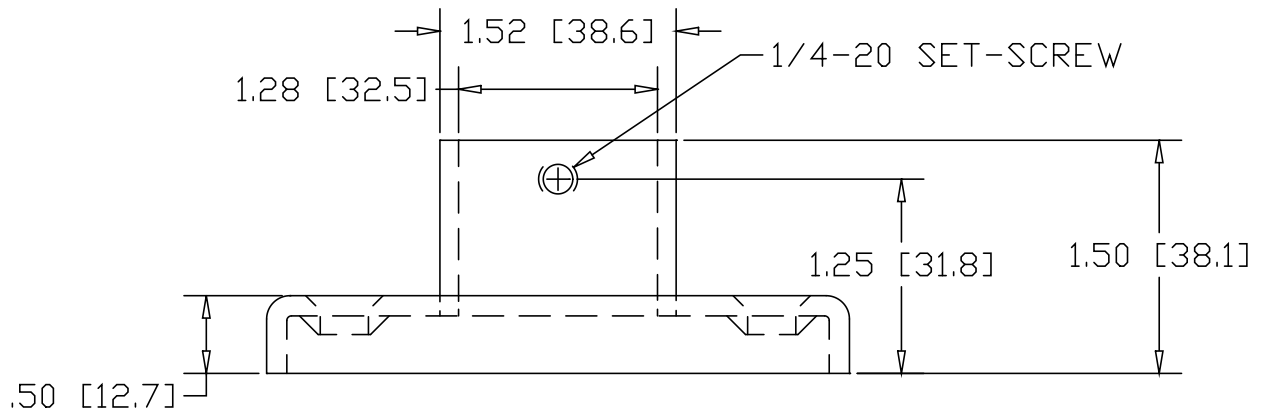
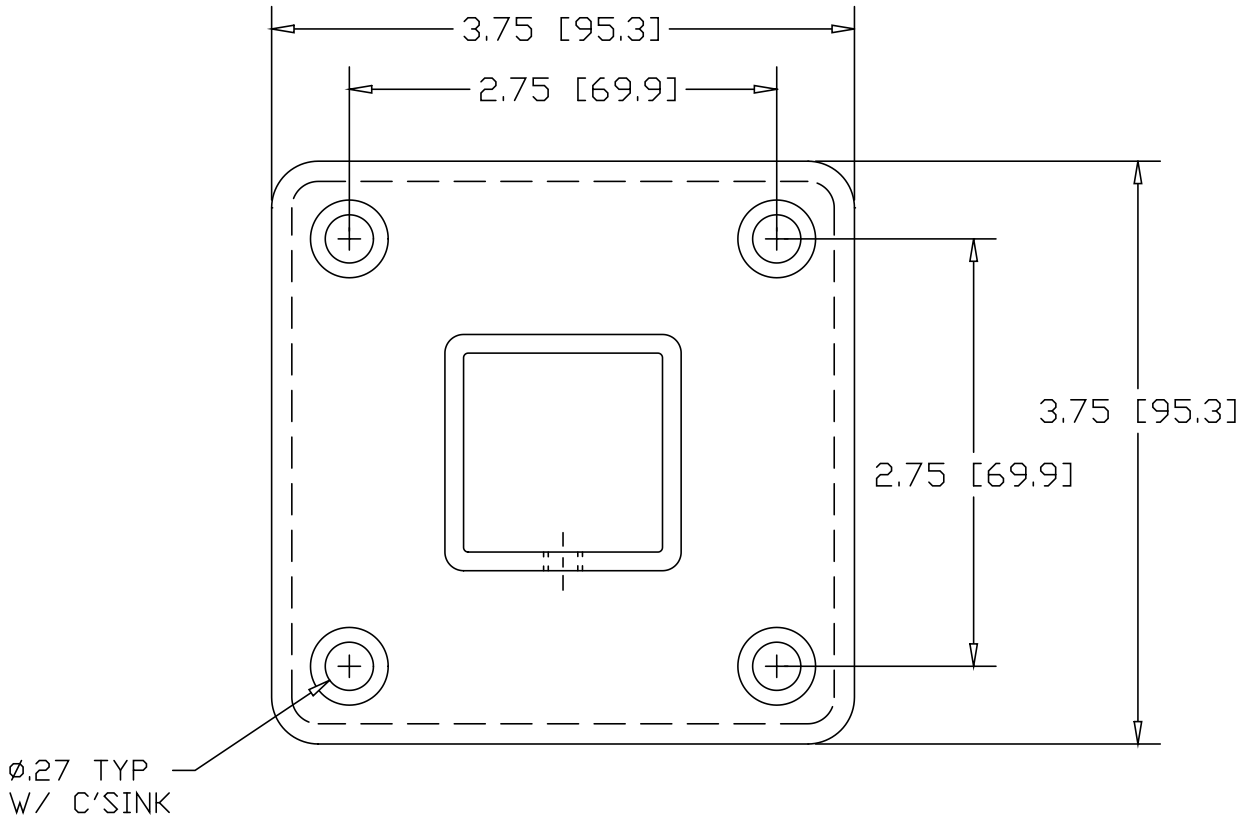



REV
SH
8911
DWG NO

REVISIONS			
REV	DESCRIPTION	DATE	APPROVED



INCHES [MILLIMETERS]

ALTERNATE MATERIAL	PART NUMBER
.125 (3003) ALUMINUM ASTM B-209	8935

PART NAME 1-1/4" SQUARE TUBE SOCKET FLANGE W/ (4) HOLES AND SET-SCREW			
MATERIAL 10 GA. HRP&D STEEL ASTM A-569			
DATE 3/16/95		R & B WAGNER, INC.	
DRAWN BY RJF		SIZE A	WEIGHT .65 LBS
FINISH MILL			REV