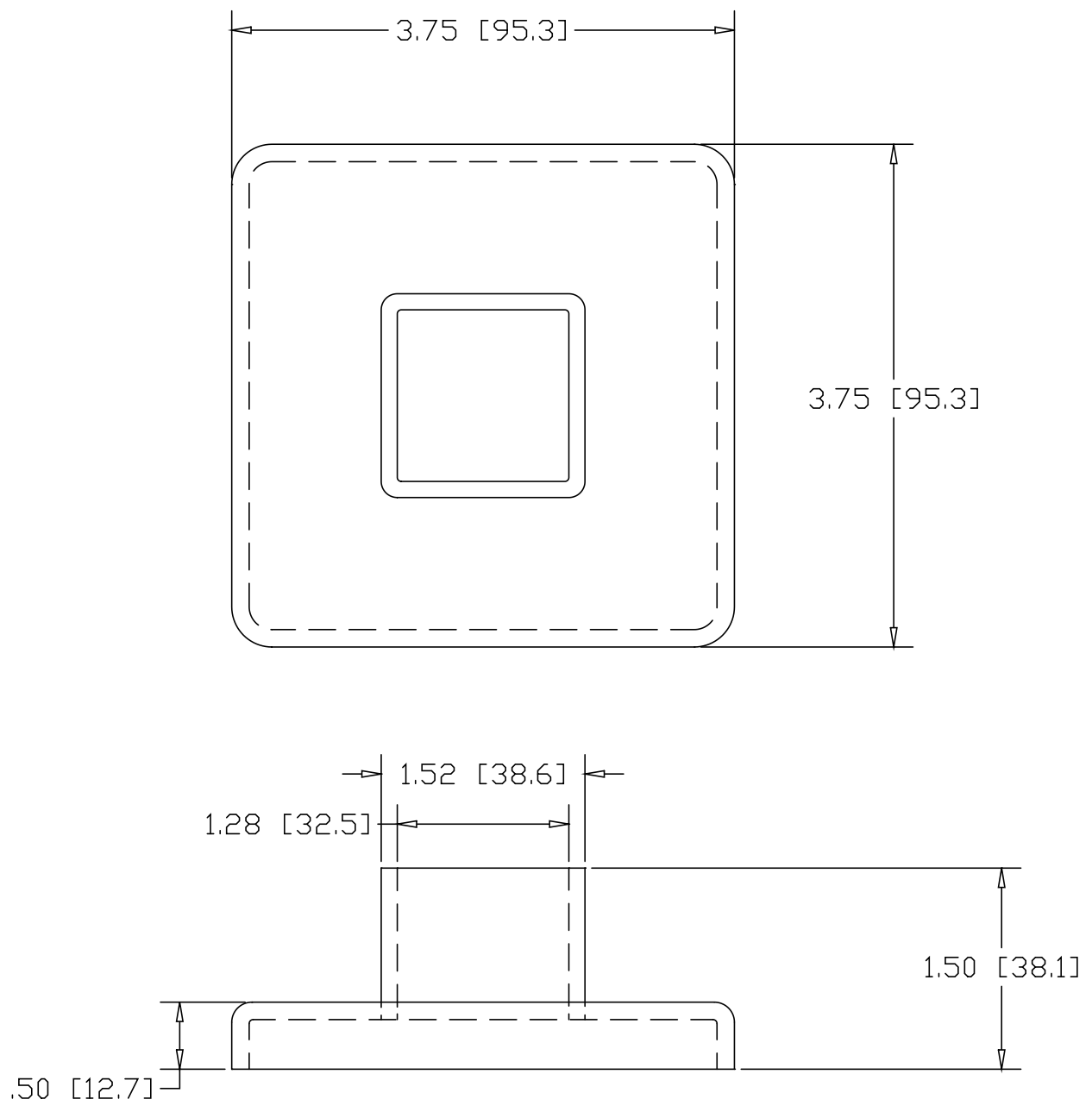



REV
SH
8908
DWG NO

REVISIONS			
REV	DESCRIPTION	DATE	APPROVED



INCHES [MILLIMETERS]

ALTERNATE MATERIAL	PART NUMBER
.125 (3003) ALUMINUM ASTM B-209	8931

PART NAME 1-1/4" SQUARE TUBE SOCKET FLANGE				
MATERIAL 10 GA. HRP&D STEEL ASTM A-569				
DATE 3/16/95	 R & B WAGNER, INC.			
DRAWN BY RJF				
FINISH MILL	SIZE A	WEIGHT .65 LBS	PART NUMBER 8907	REV