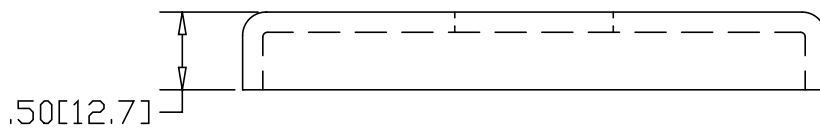
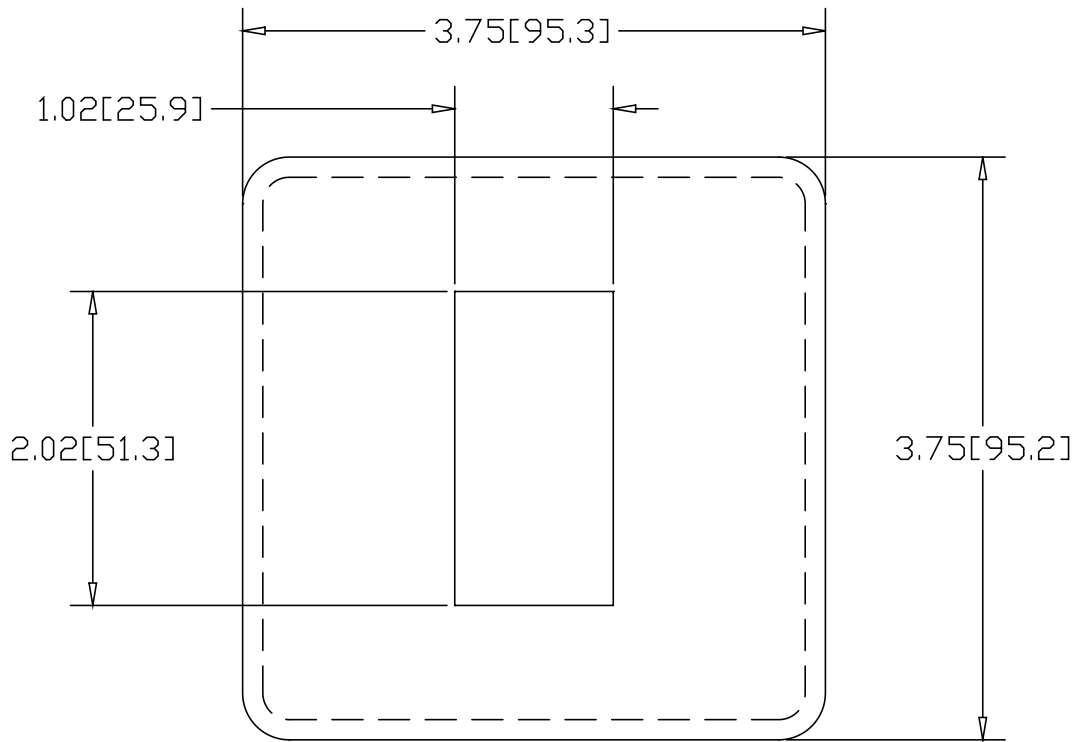



REV  
SH  
8757  
DWG NO

REVISIONS			
REV	DESCRIPTION	DATE	APPROVED



INCHES [MILLIMETERS]

ALTERNATE MATERIAL	PART NUMBER
.125 (3003) ALUMINUM ASTM B-209	8827
10 GA. (304) STAINLESS STEEL ASTM A240	8897

PART NAME		2 X 1" RECT. TUBE HFB FLANGE					
MATERIAL		10 GA. HRP&D STEEL ASTM A-569					
DATE	6/20/95	 <b>R &amp; B WAGNER, INC.</b>					
DRAWN BY	RJF						
FINISH	MILL						
SIZE	A	WEIGHT	.56 LBS	PART NUMBER	8757	REV	