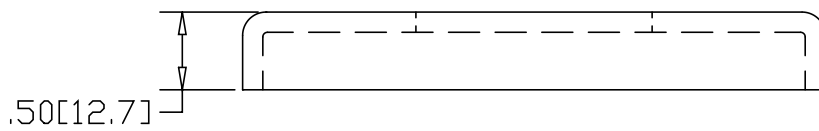
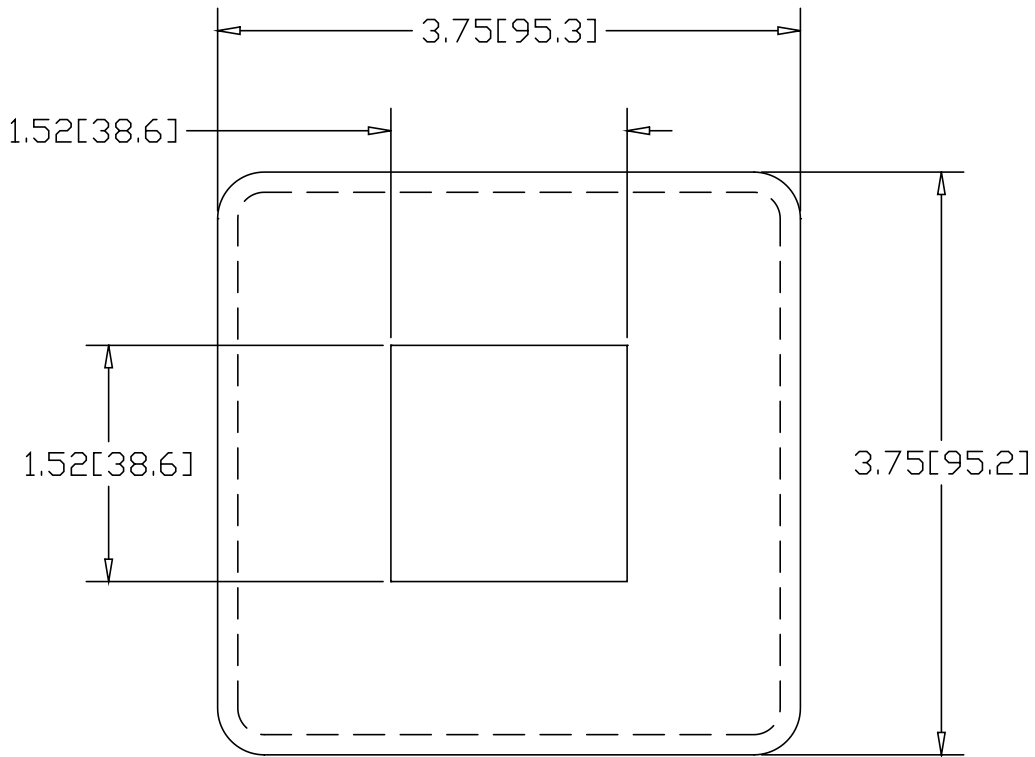



REV  
SH  
8722  
DWG NO

REVISIONS			
REV	DESCRIPTION	DATE	APPROVED



INCHES [MILLIMETERS]

ALTERNATE MATERIAL	PART NUMBER
.125 (3003) ALUMINUM ASTM B-209	8792
10 GA. (304) STAINLESS STEEL ASTM A240	8862

PART NAME		1-1/2" SQUARE TUBE HFB FLANGE	
MATERIAL		10 GA. HRP&D STEEL ASTM A-569	
DATE	6/20/95	 <b>R &amp; B WAGNER, INC.</b>	
DRAWN BY	RJF		
FINISH	MILL	SIZE	A
		WEIGHT	.56 LBS
		PART NUMBER	8722
		REV	